

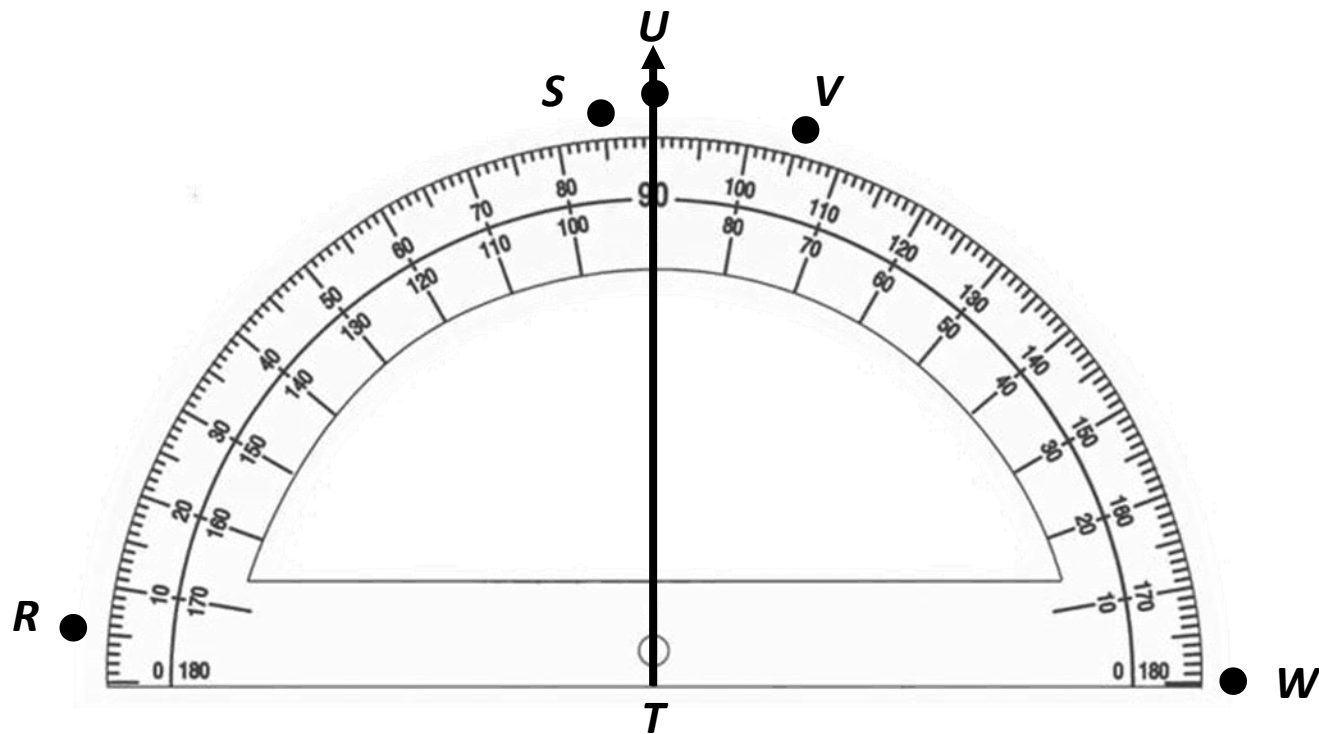
**Unit: 4<sup>th</sup> Measuring Angles****4.7.C – 4.7.D – 4.7.E – Measuring Angles****Problem Set: 1**

*Note: Some parts of these materials are taken directly from released STAAR tests Copyright © 2015-2021. Texas Education Agency. All Rights Reserved. Used by Permission.*

<b>1</b>  A	<b>2</b>  152°	<b>3</b>  A	<b>4</b>  B	<b>5</b>  D	<b>6</b>  D
<b>7</b>  C	<b>8</b>  C	<b>9</b>  C	<b>10</b>  A	<b>11</b>  B	<b>12</b>  B
<b>13</b>  B	<b>14</b>  D	<b>15</b>  D	<b>16</b>  B	<b>17</b>  A	<b>18</b>  C
<b>19</b>  C	<b>20</b>  D	<b>21</b>  B	<b>22</b>  B	<b>23</b>  A	<b>24</b>  D
<b>25</b>  65°	<b>26</b>  B	<b>27</b>  C	<b>28</b>  D	<b>29</b>  A	<b>30</b>  B



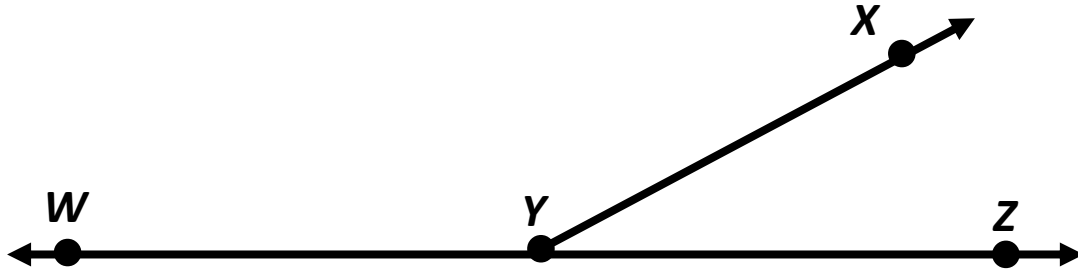
1. Ray  $TU$  has been drawn on the protractor as shown.



To construct an angle that has a measure of  $85^\circ$ , another ray can be drawn that starts at point  $T$  and passes through –

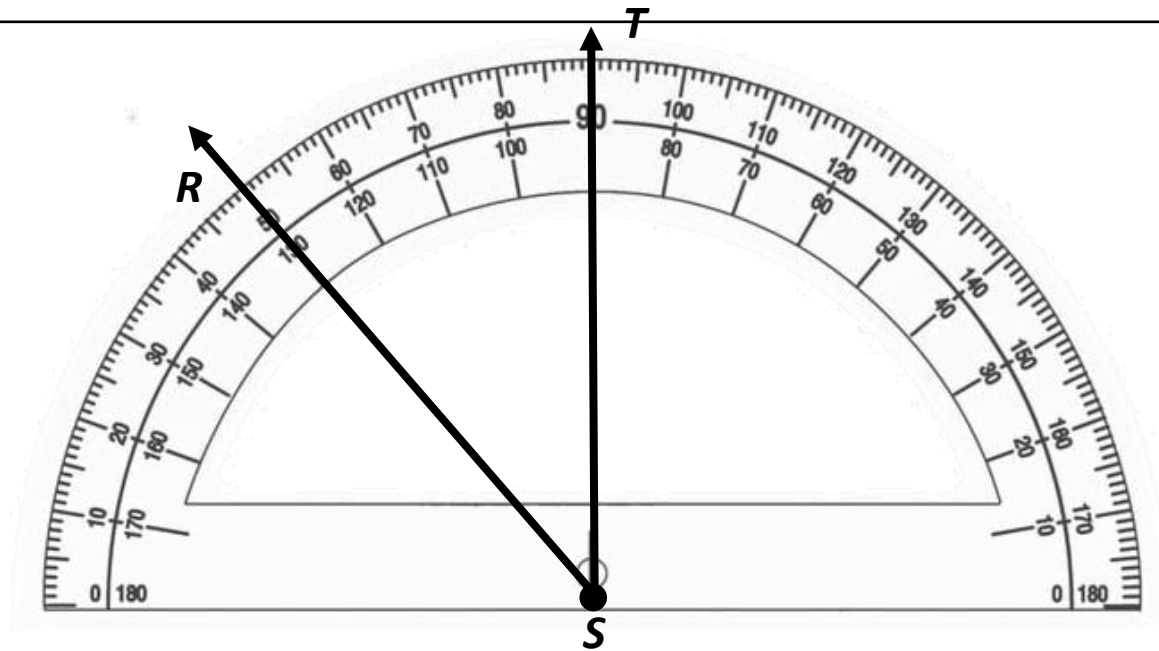
- A. point  $R$
- B. point  $S$
- C. point  $V$
- C. point  $W$

2. Angle  $XYZ$  and angle  $XYW$  have a combined measure of  $180^\circ$ .



The measure of angle  $XYZ$  is  $28^\circ$ . What is the measure of  $XYW$  in degrees?

3. What is the measure of angle  $RST$  to the nearest degree?



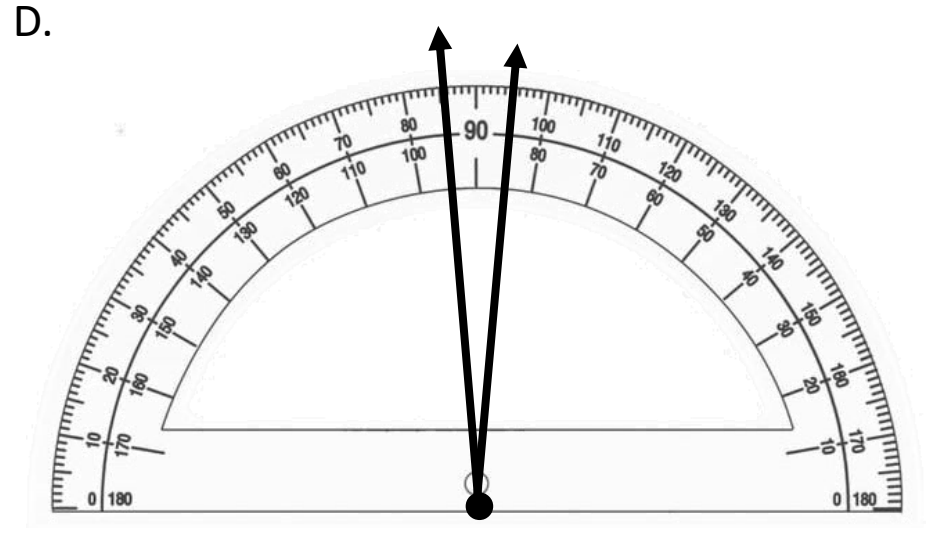
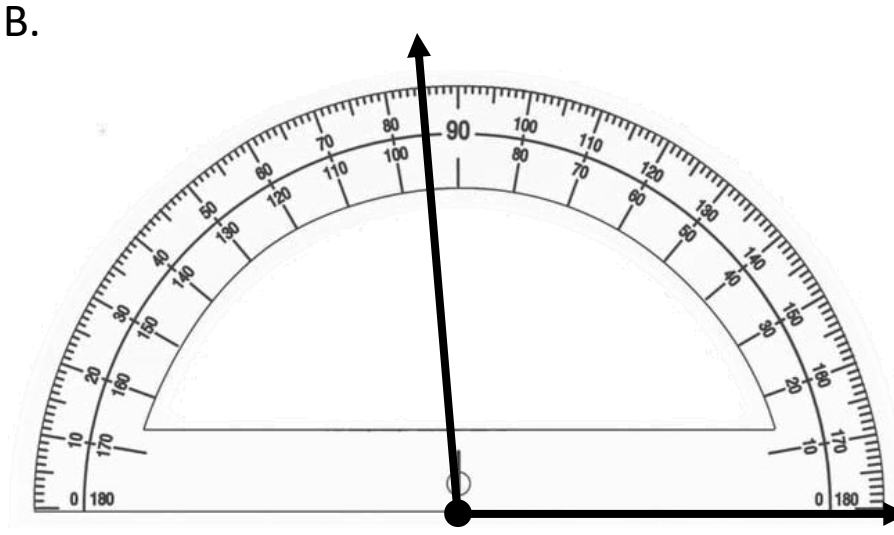
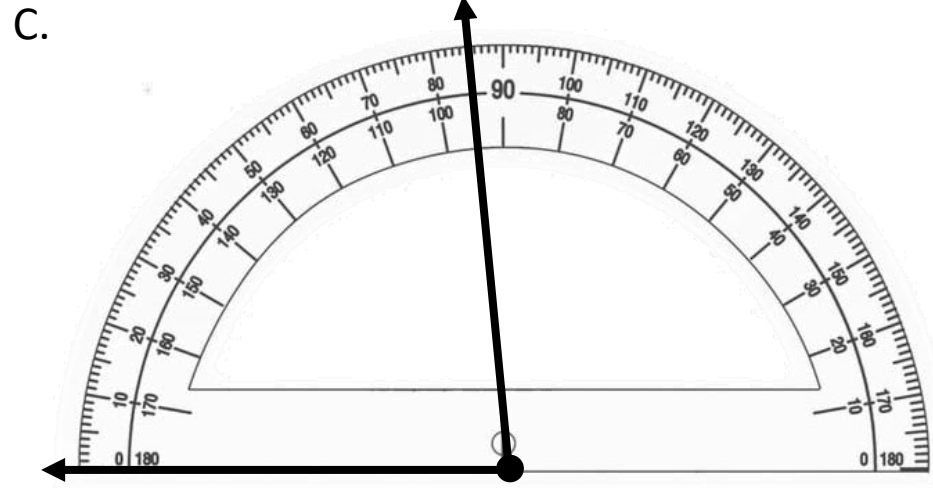
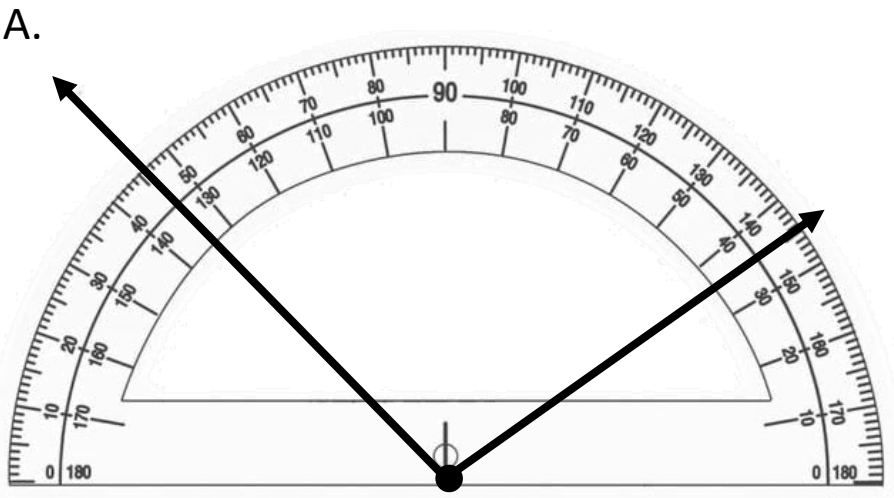
A.  $40^\circ$

B.  $50^\circ$

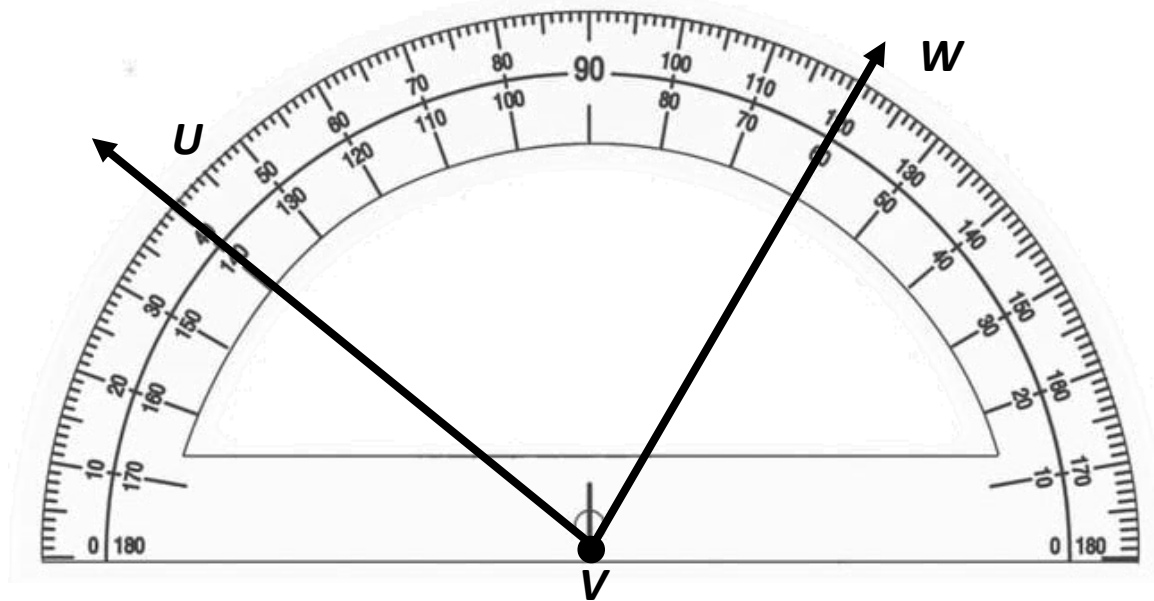
C.  $130^\circ$

D.  $80^\circ$

4. Which angle has a measure closest to  $95^\circ$ ?



5. What is the measure of angle  $UVW$  to the nearest degree?



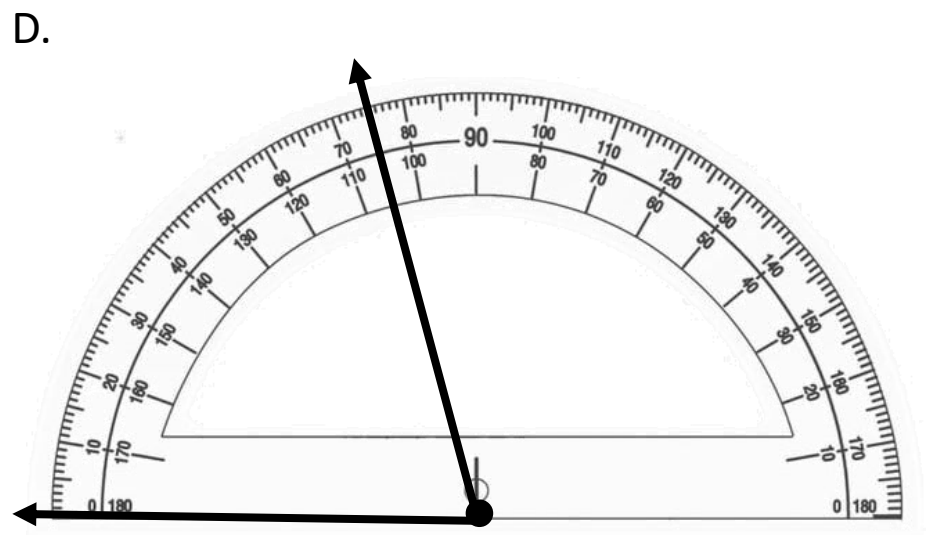
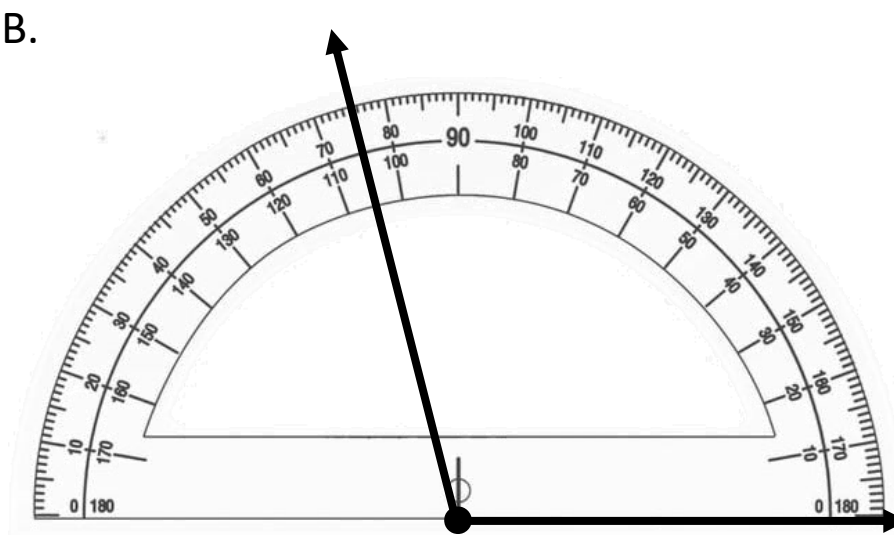
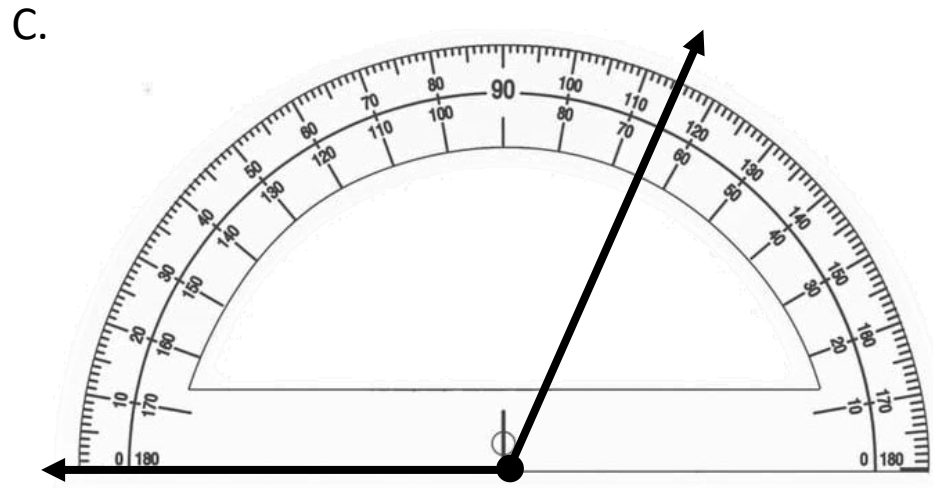
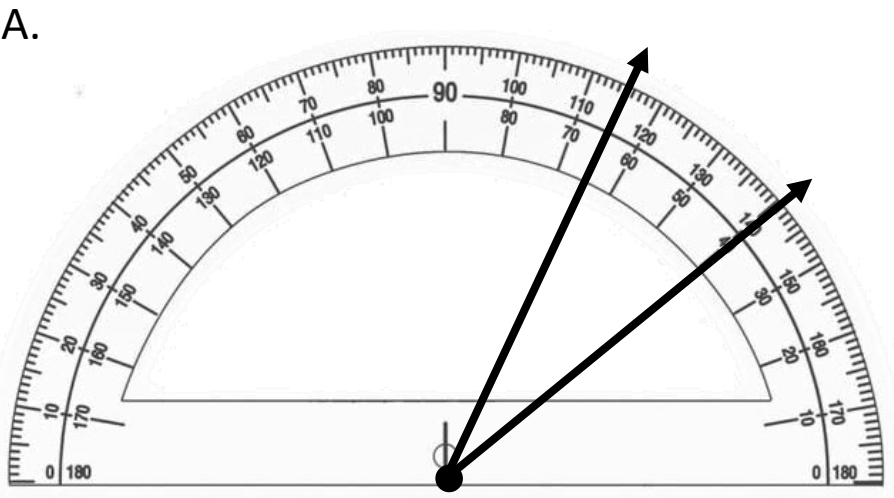
A.  $40^\circ$

B.  $50^\circ$

C.  $130^\circ$

D.  $80^\circ$

6. Which angle has a measure closest to  $75^\circ$ ?





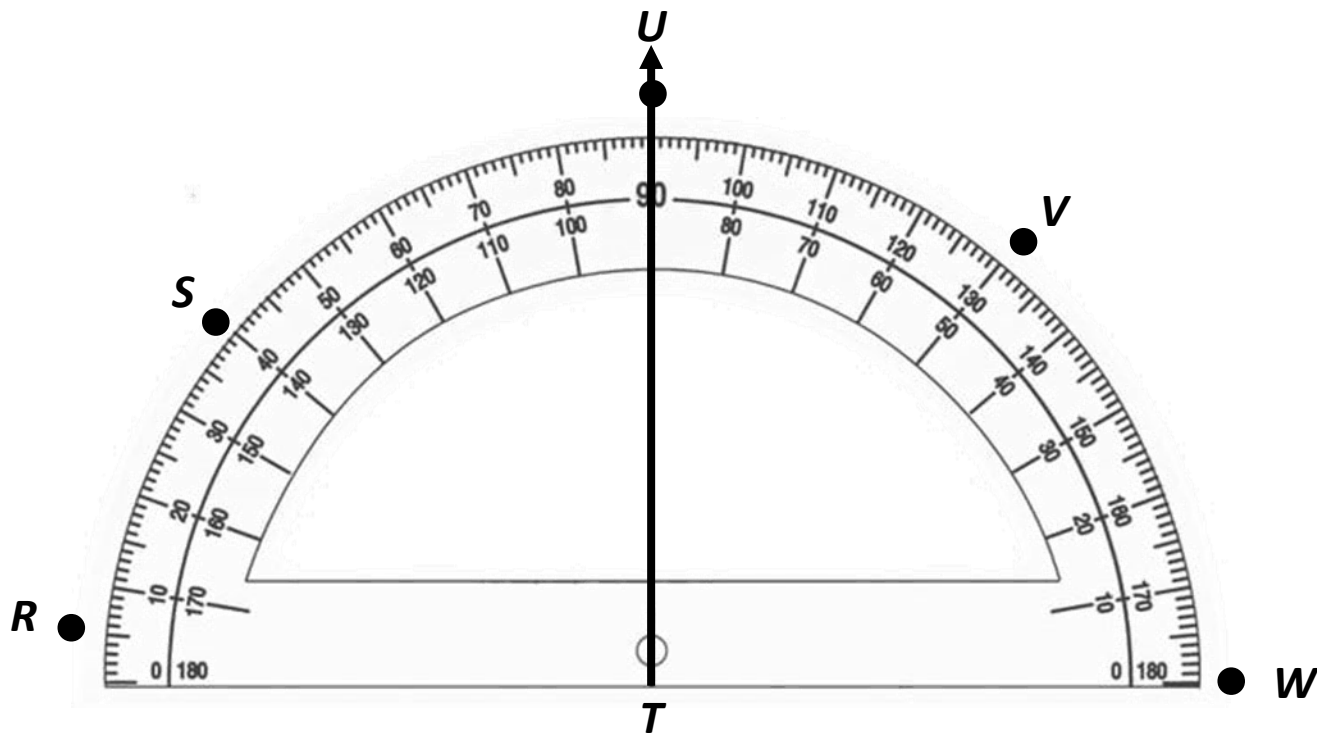
**Unit: 4<sup>th</sup> Measuring Angles****4.7.C – 4.7.D – 4.7.E – Measuring Angles****Problem Set: 2**

*Note: Some parts of these materials are taken directly from released STAAR tests Copyright © 2015-2021. Texas Education Agency. All Rights Reserved. Used by Permission.*

1  A	2  152°	3  A	4  B	5  D	6  D
7  C	8  C	9  C	10  A	11  B	12  B
13  B	14  D	15  D	16  B	17  A	18  C
19  C	20  D	21  B	22  B	23  A	24  D
25  65°	26  B	27  C	28  D	29  A	30  B



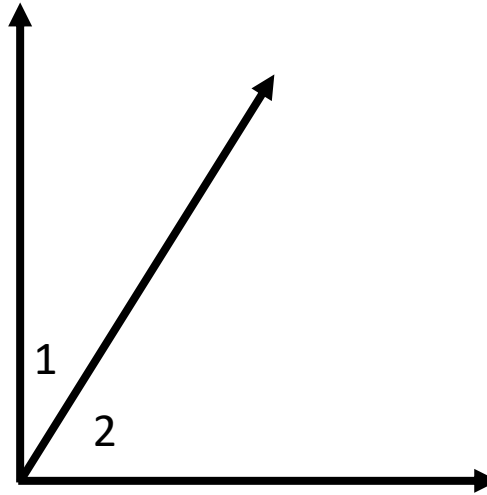
7. Ray  $TU$  has been drawn on the protractor as shown.



To construct an angle that has a measure of  $40^\circ$ , another ray can be drawn that starts at point  $T$  and passes through –

- A. point  $R$
- B. point  $S$
- C. point  $V$
- D. point  $W$

8. Angle 1 and Angle 2 form a right angle.



The measure of angle 1 is  $32^\circ$ . What is the measure of angle 2?

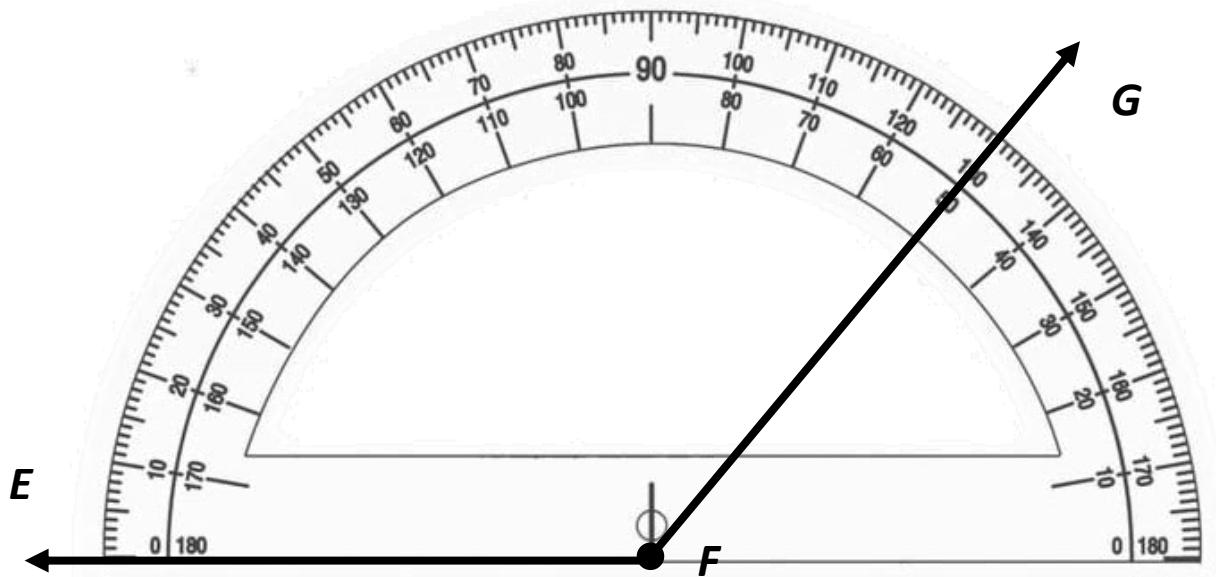
A.  $32^\circ$

B.  $90^\circ$

C.  $58^\circ$

D.  $62^\circ$

9. What is the measure of angle  $EFG$  to the nearest degree?



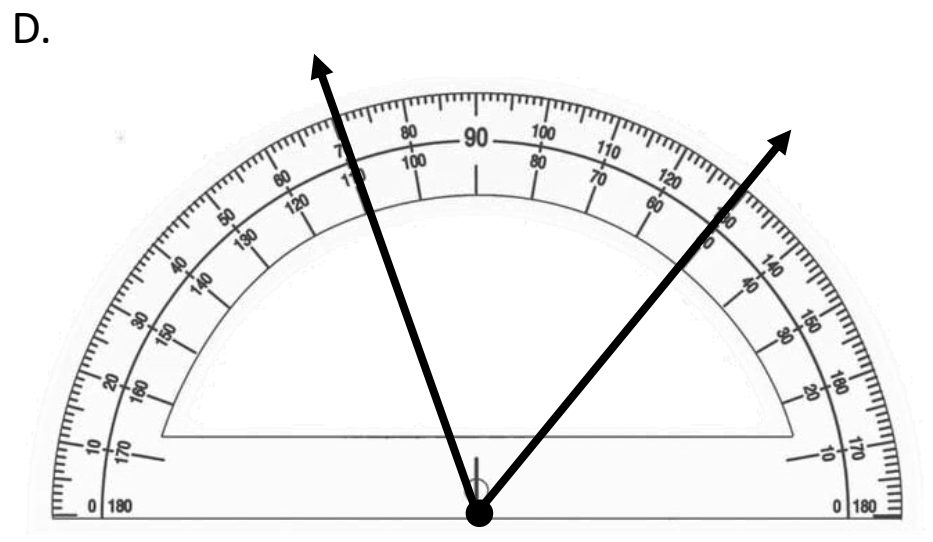
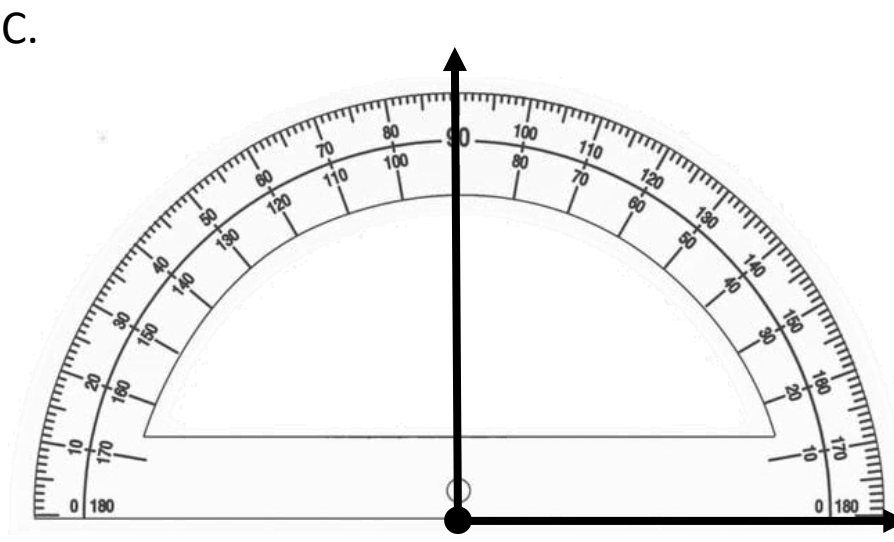
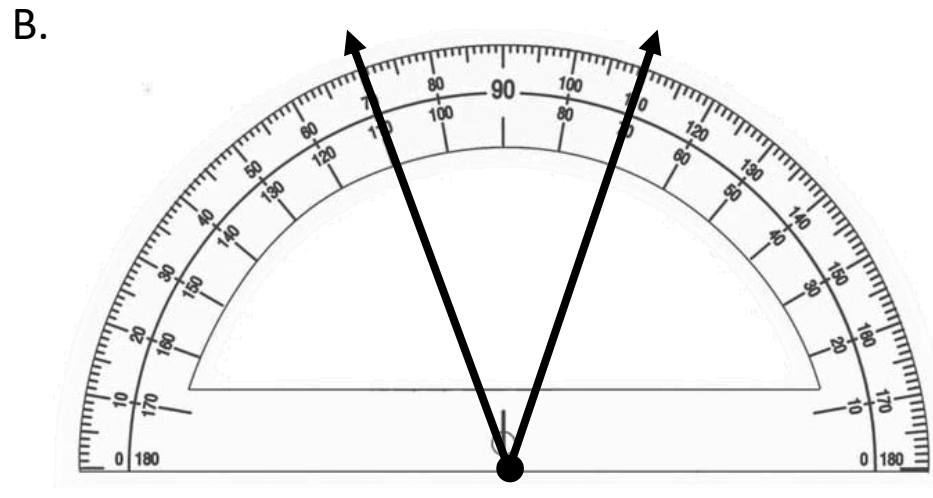
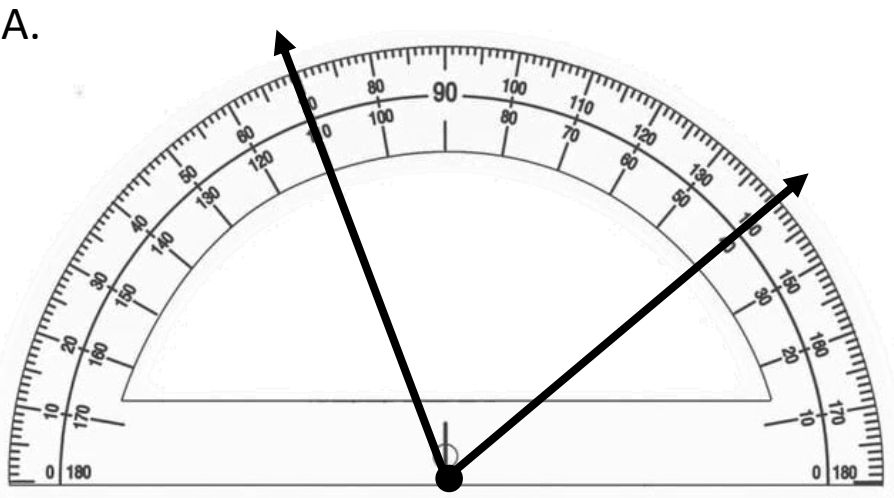
A.  $40^\circ$

B.  $50^\circ$

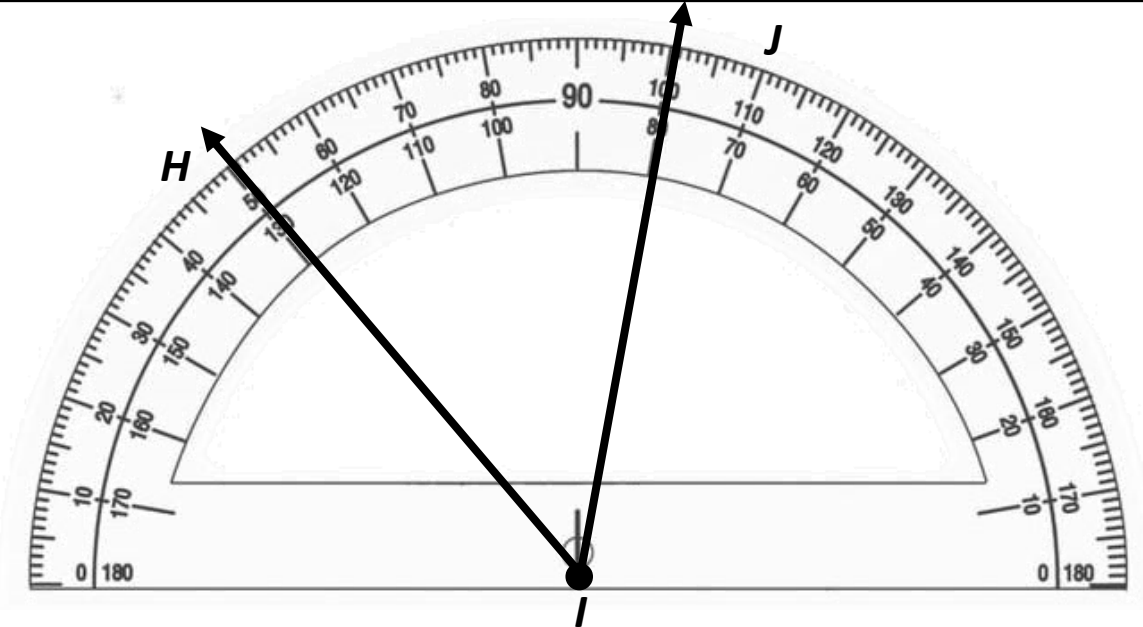
C.  $130^\circ$

D.  $80^\circ$

10. Which angle has a measure closest to  $70^\circ$ ?



11. What is the measure of angle  $HJ$  to the nearest degree?



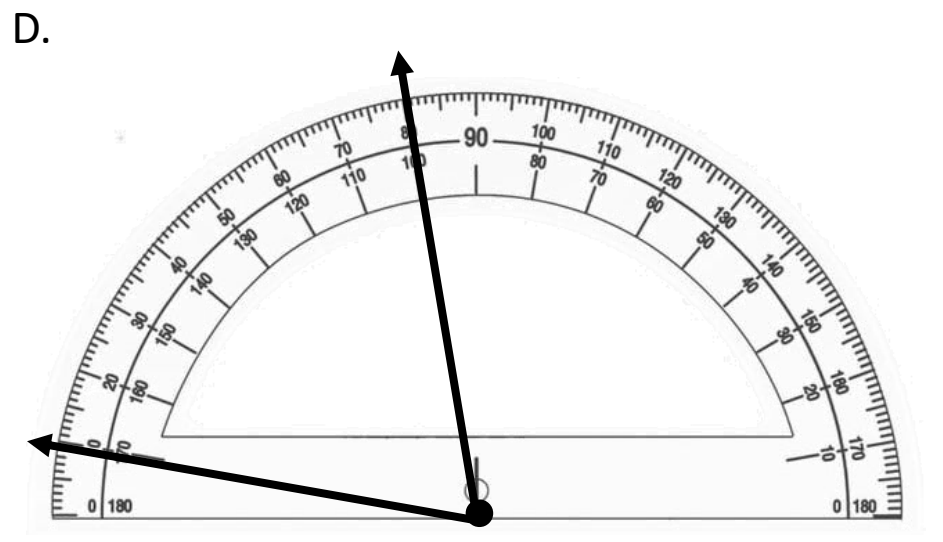
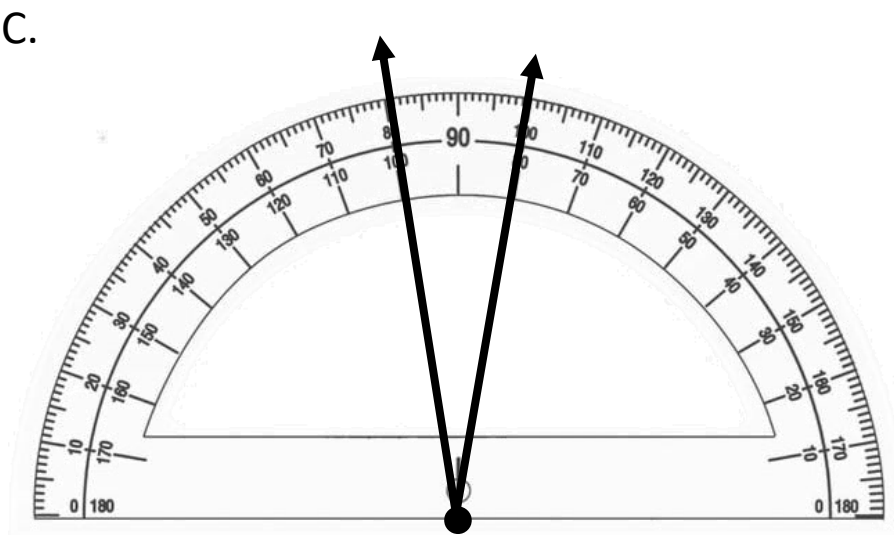
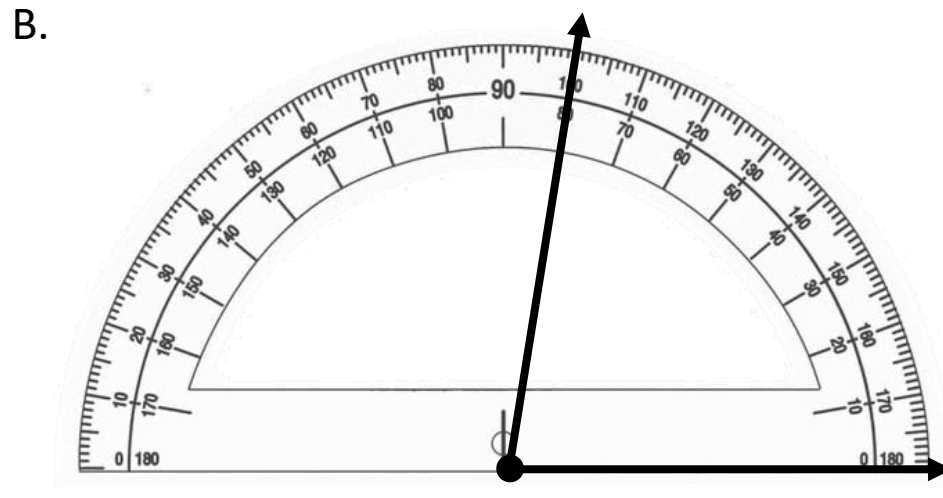
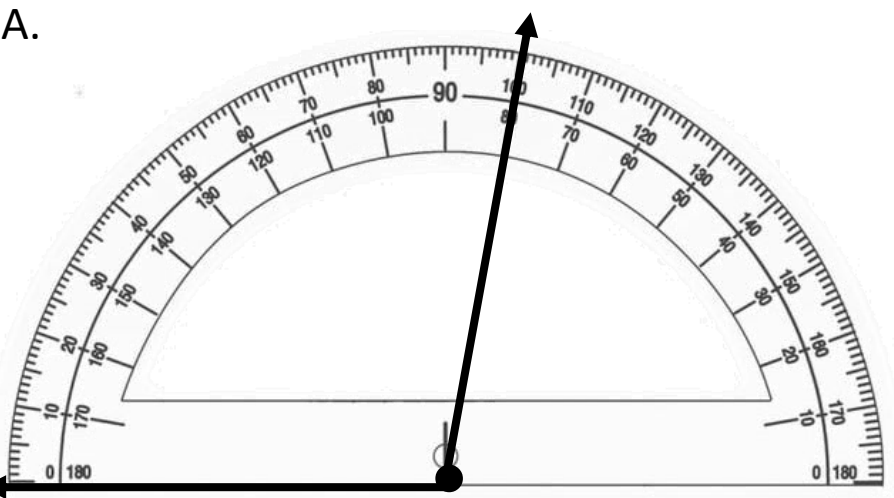
A.  $40^\circ$

B.  $50^\circ$

C.  $130^\circ$

D.  $80^\circ$

12. Which angle has a measure closest to  $80^\circ$ ?





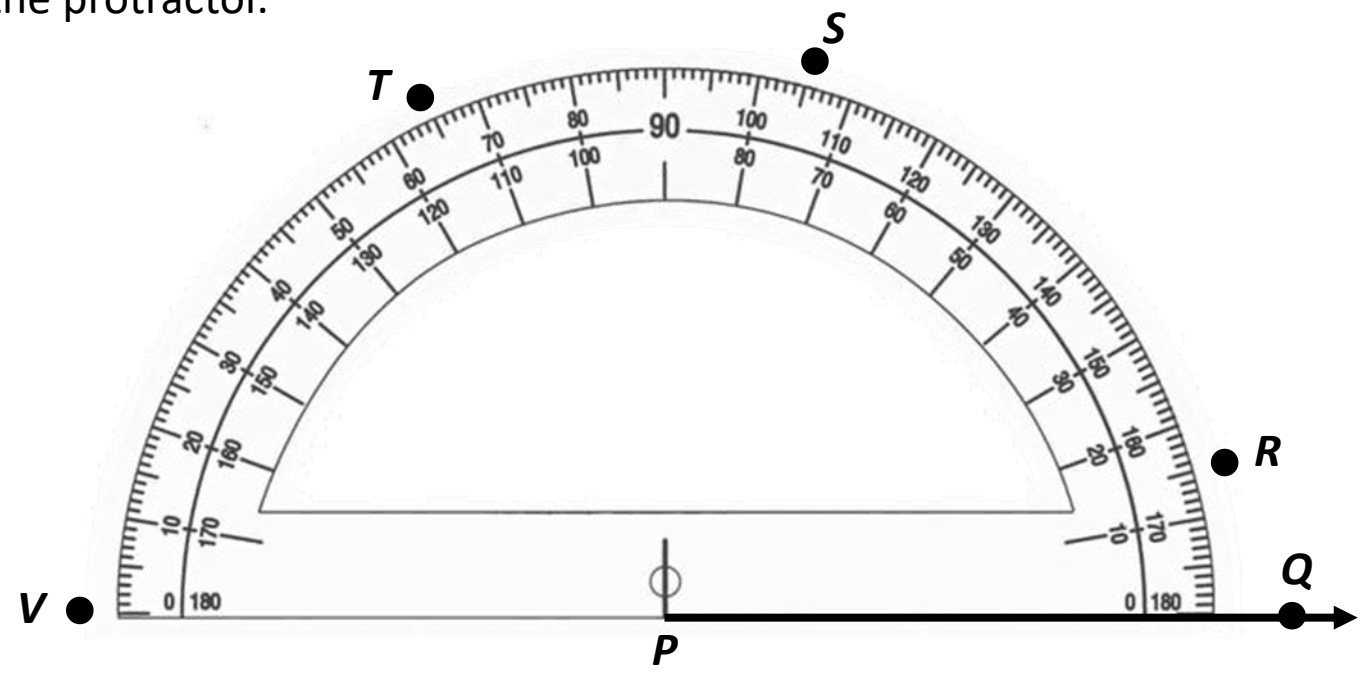
**Unit: 4<sup>th</sup> Measuring Angles****4.7.C – 4.7.D – 4.7.E – Measuring Angles****Problem Set: 3**

*Note: Some parts of these materials are taken directly from released STAAR tests Copyright © 2015-2021. Texas Education Agency. All Rights Reserved. Used by Permission.*

1  A	2  152°	3  A	4  B	5  D	6  D
7  C	8  C	9  C	10  A	11  B	12  B
13  B	14  D	15  D	16  B	17  A	18  C
19  C	20  D	21  B	22  B	23  A	24  D
25  65°	26  B	27  C	28  D	29  A	30  B



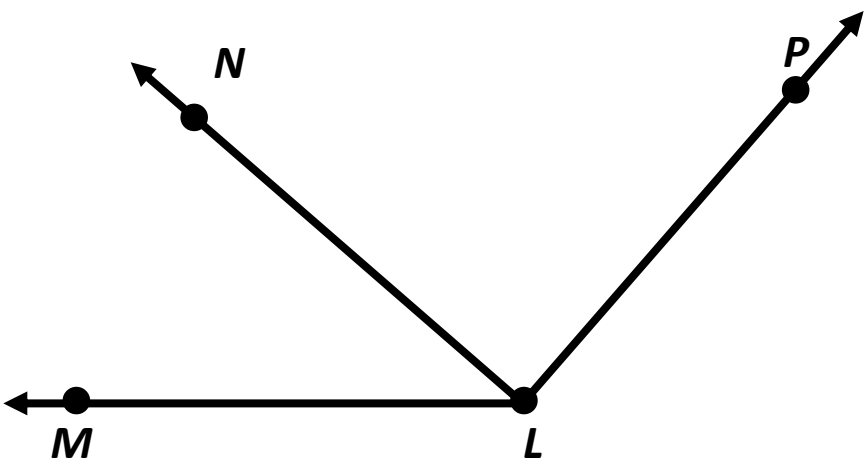
13. Frank is using a protractor to construct an angle that measures  $75^\circ$ . First, he draws Ray  $PQ$ , as shown on the protractor.



To complete the  $75^\circ$  angle, Frank should draw another ray that starts at point  $P$  and passes through –

- A. point  $R$
- B. point  $S$
- C. point  $T$
- C. point  $V$

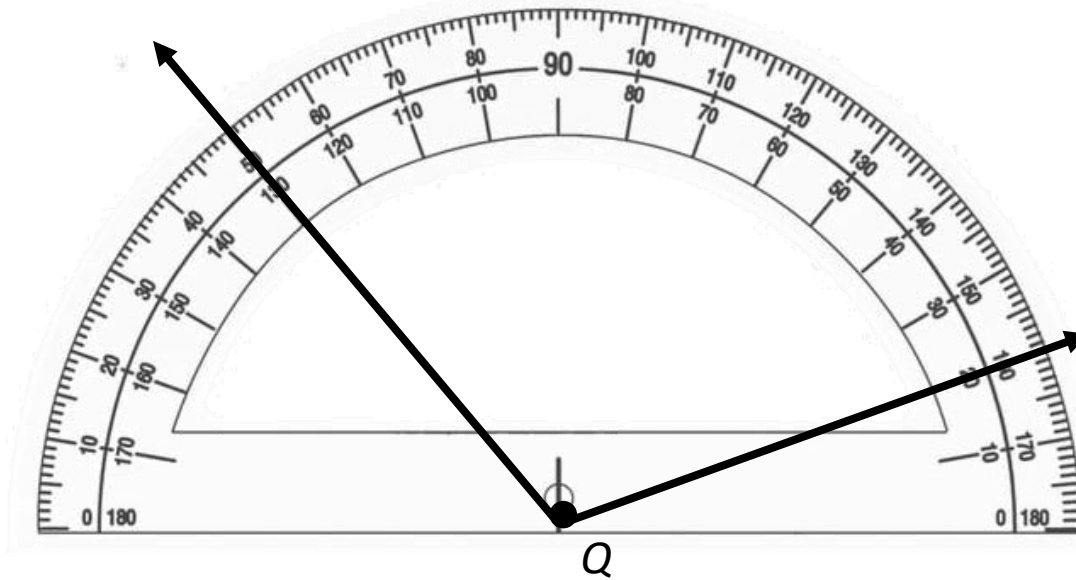
14. Angle  $MLN$  has a measure of  $41^\circ$ . Angle  $NLP$  is a right angle.



What is the measure of angle  $MLP$ ?

- A.  $82^\circ$
- B.  $49^\circ$
- C.  $180^\circ$
- D.  $131^\circ$

15. Angle Q is shown on this protractor. What is the measure of angle Q to the nearest degree?



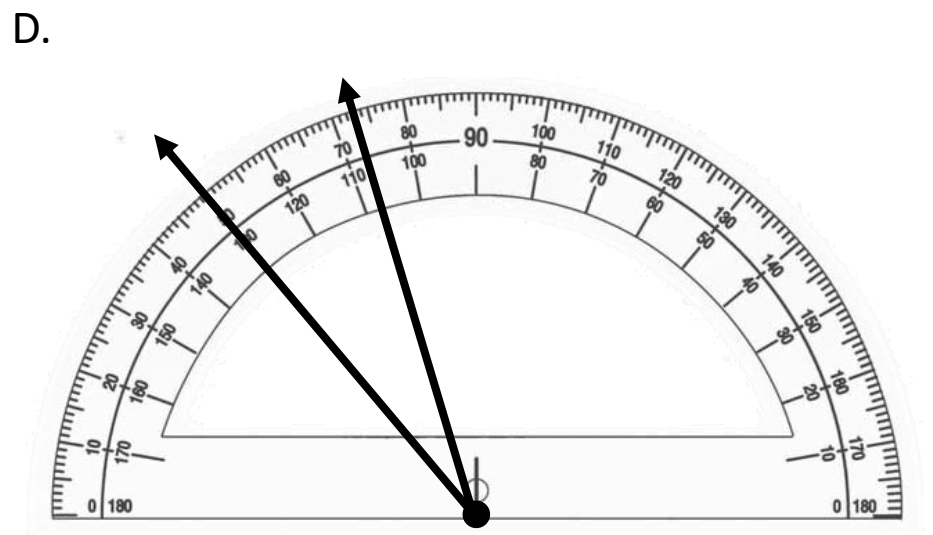
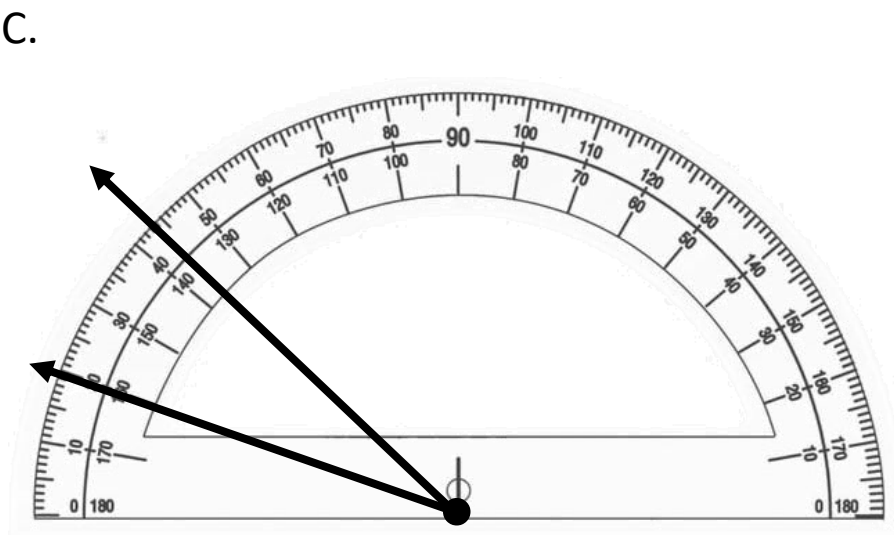
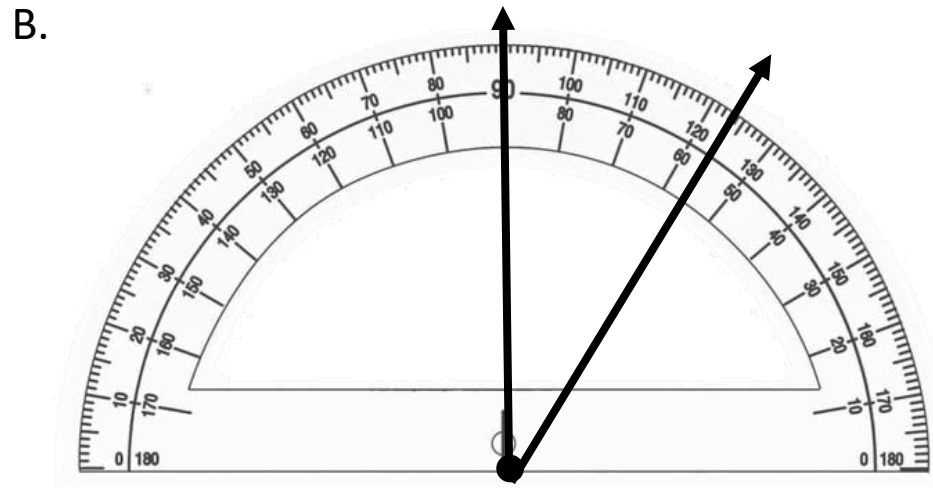
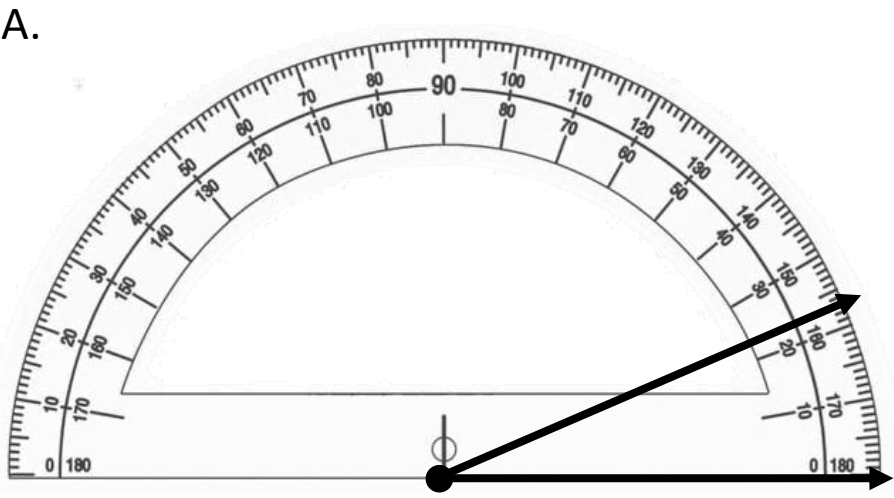
A.  $70^\circ$ , because  $50^\circ$  plus  $20^\circ$  equals  $70^\circ$

B.  $150^\circ$ , because  $130^\circ$  plus  $20^\circ$  equals  $150^\circ$

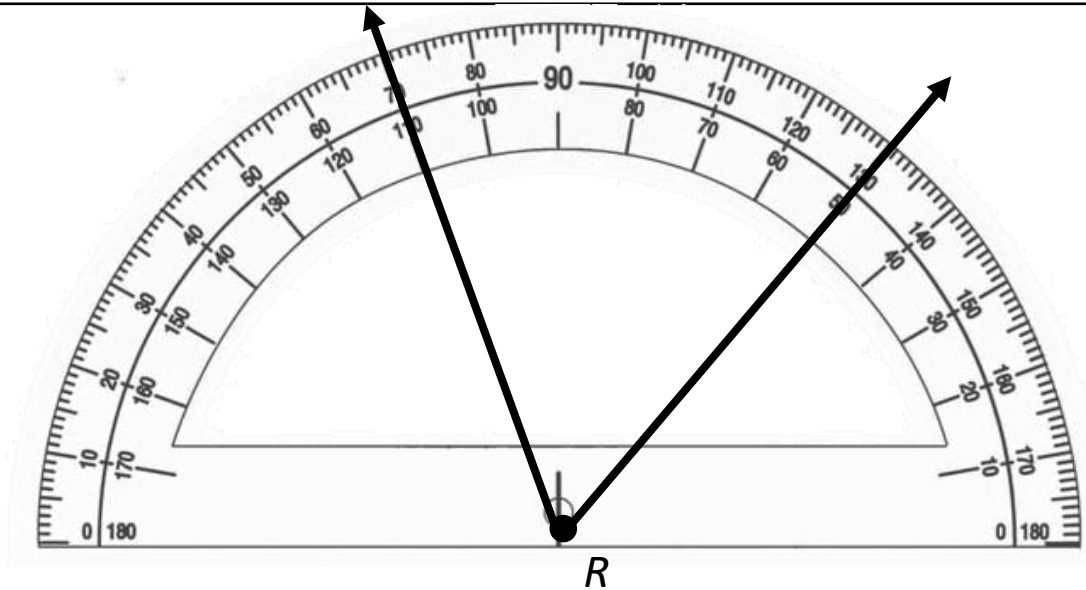
C.  $30^\circ$ , because  $160^\circ$  minus  $130^\circ$  equals  $30^\circ$

D.  $110^\circ$ , because  $160^\circ$  minus  $50^\circ$  equals  $110^\circ$

16. Which angle does *NOT* appear to have a measure of  $23^\circ$ ?



17. Angle  $R$  is shown on this protractor. What is the measure of angle  $R$  to the nearest degree?



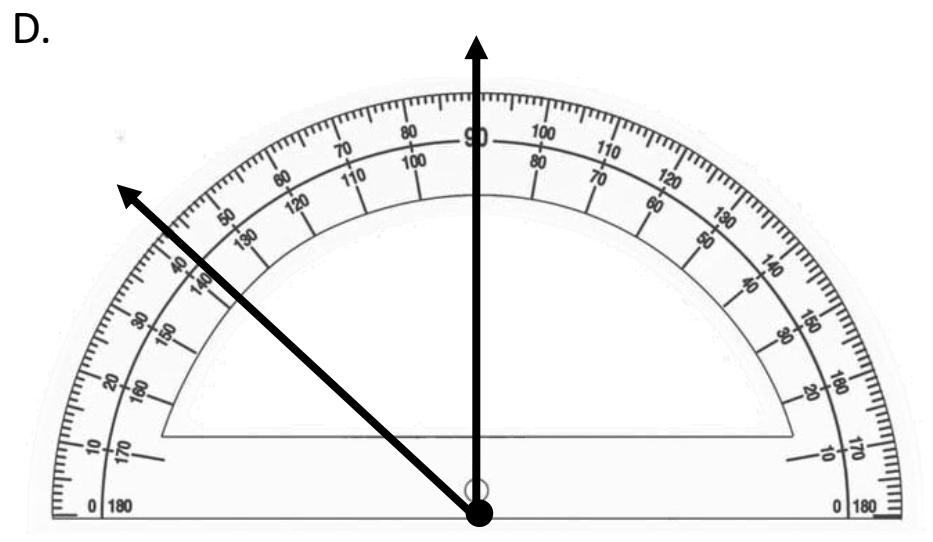
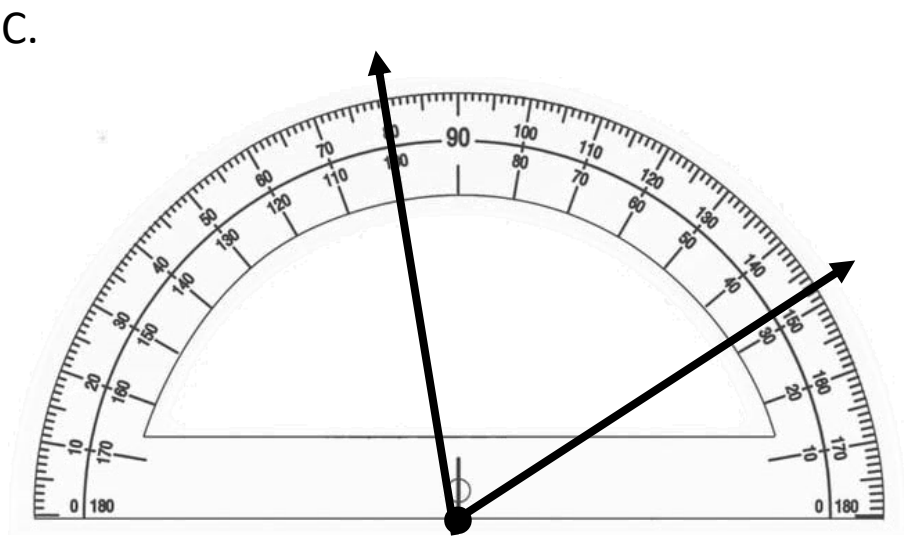
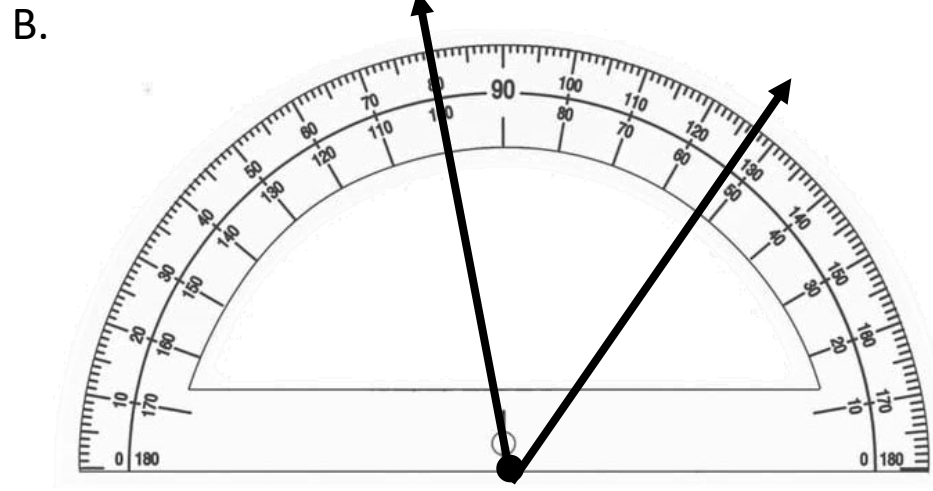
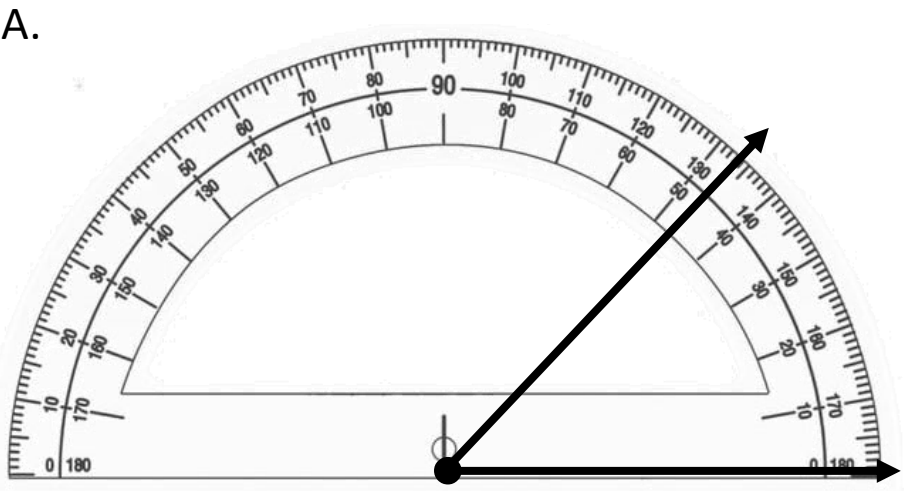
A.  $60^\circ$ , because  $130^\circ$  minus  $70^\circ$  equals  $60^\circ$

B.  $110^\circ$ , because  $180^\circ$  minus  $70^\circ$  equals  $110^\circ$

C.  $200^\circ$ , because  $130^\circ$  plus  $70^\circ$  equals  $200^\circ$

D.  $20^\circ$ , because  $130^\circ$  minus  $110^\circ$  equals  $20^\circ$

18. Which angle does *NOT* appear to have a measure of  $47^\circ$ ?





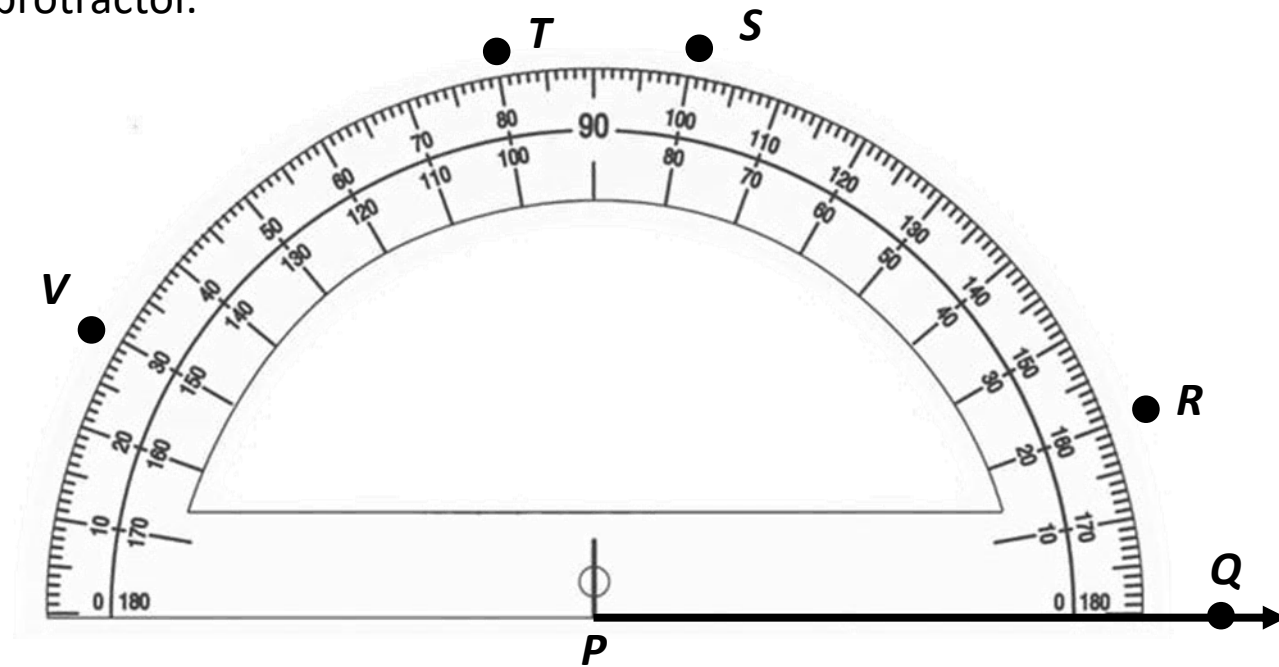
**Unit: 4<sup>th</sup> Measuring Angles****4.7.C – 4.7.D – 4.7.E – Measuring Angles****Problem Set: 4**

*Note: Some parts of these materials are taken directly from released STAAR tests Copyright © 2015-2021. Texas Education Agency. All Rights Reserved. Used by Permission.*

1  A	2  152°	3  A	4  B	5  D	6  D
7  C	8  C	9  C	10  A	11  B	12  B
13  B	14  D	15  D	16  B	17  A	18  C
19  C	20  D	21  B	22  B	23  A	24  D
25  65°	26  B	27  C	28  D	29  A	30  B



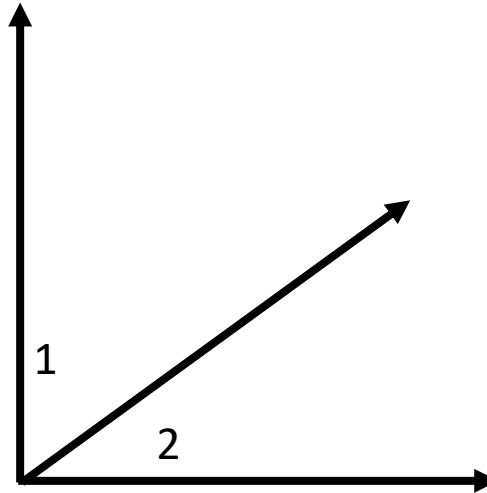
19. Frank is using a protractor to construct an angle that measures  $100^\circ$ . First, he draws Ray  $PQ$ , as shown on the protractor.



To complete the  $100^\circ$  angle, Frank should draw another ray that starts at point  $P$  and passes through –

- A. point  $R$
- B. point  $S$
- C. point  $T$
- D. point  $V$

20. Angle 1 and Angle 2 form a right angle.



The measure of angle 1 is  $54^\circ$ . What is the measure of angle 2?

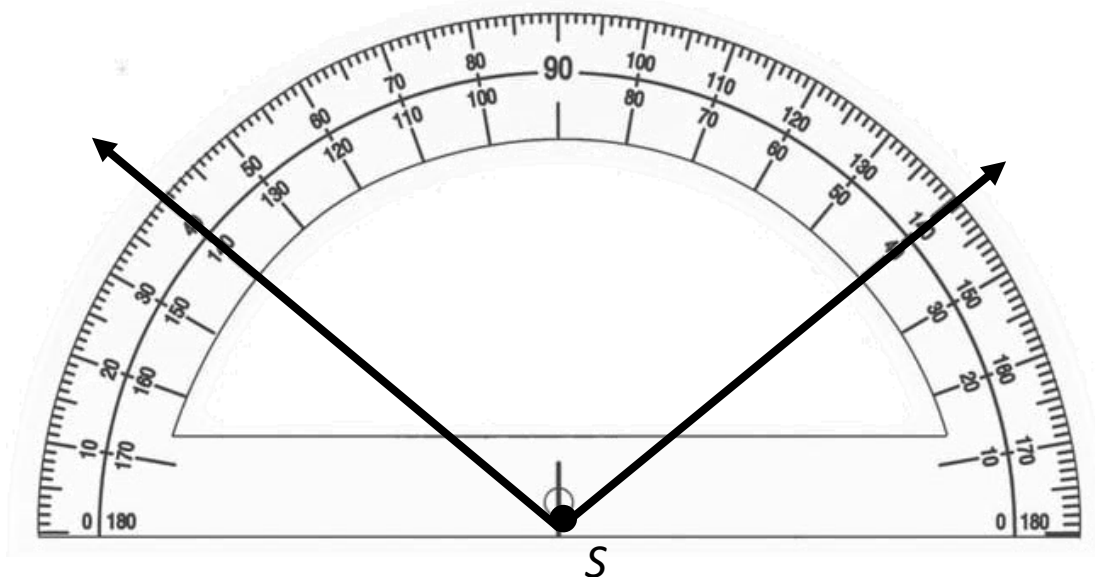
A.  $18^\circ$

B.  $90^\circ$

C.  $58^\circ$

D.  $36^\circ$

21. Angle  $S$  is shown on this protractor. What is the measure of angle  $S$  to the nearest degree?



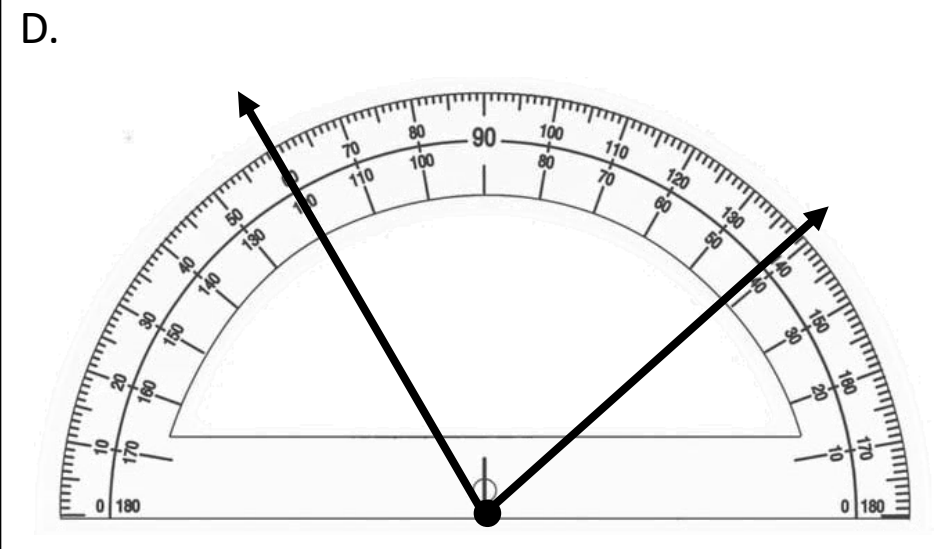
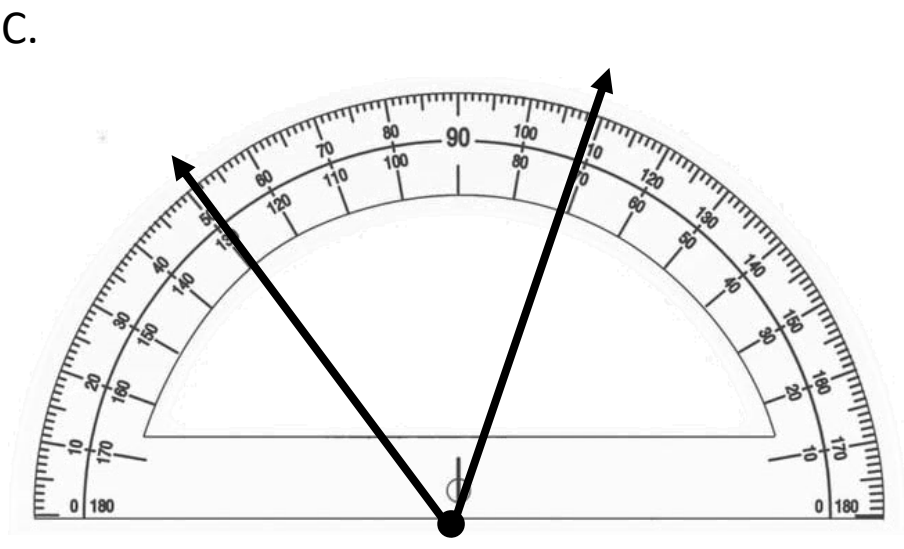
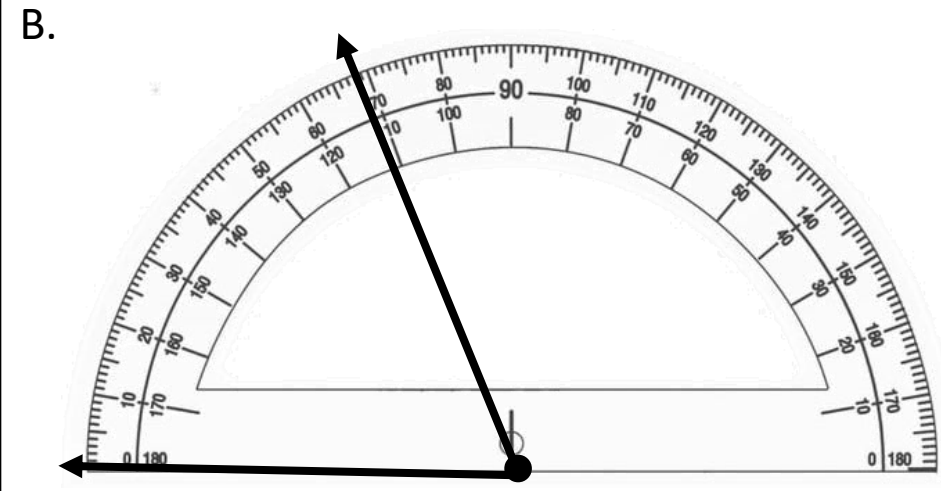
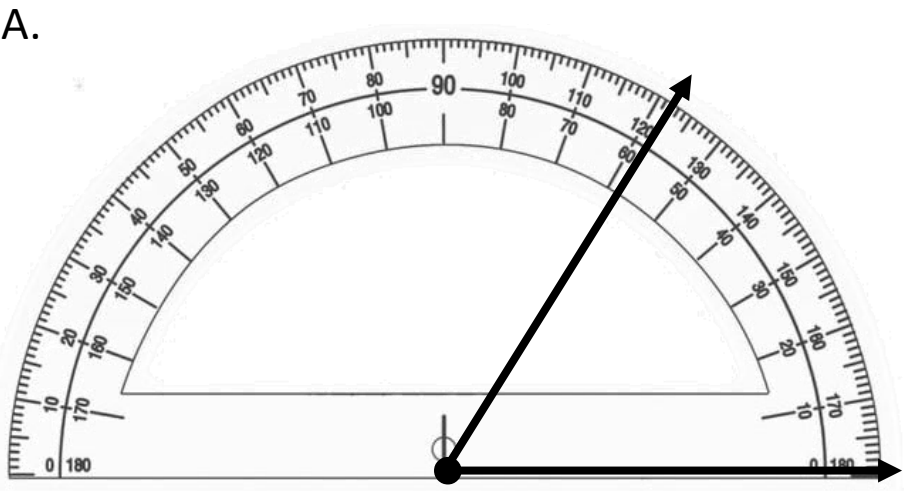
A.  $140^\circ$ , because  $180^\circ$  minus  $40^\circ$  equals  $140^\circ$

B.  $100^\circ$ , because  $140^\circ$  minus  $40^\circ$  equals  $100^\circ$

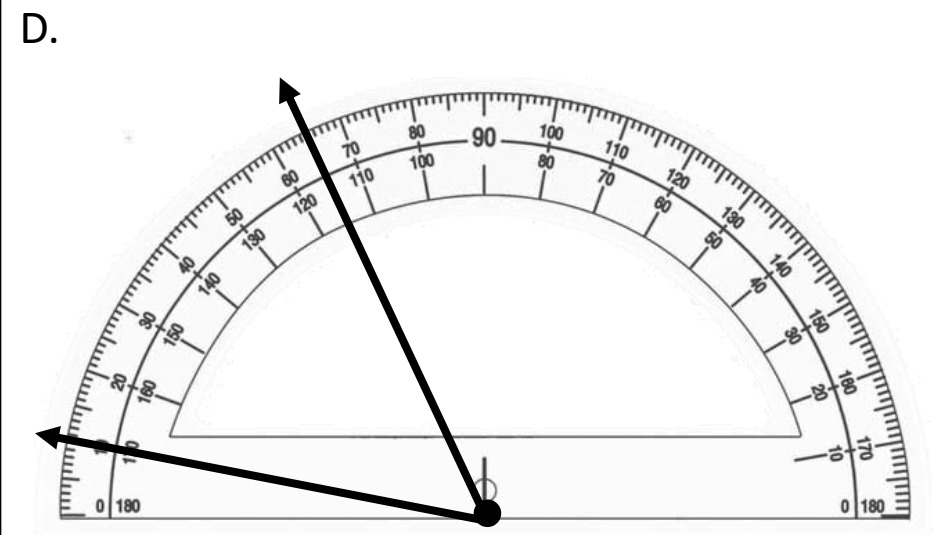
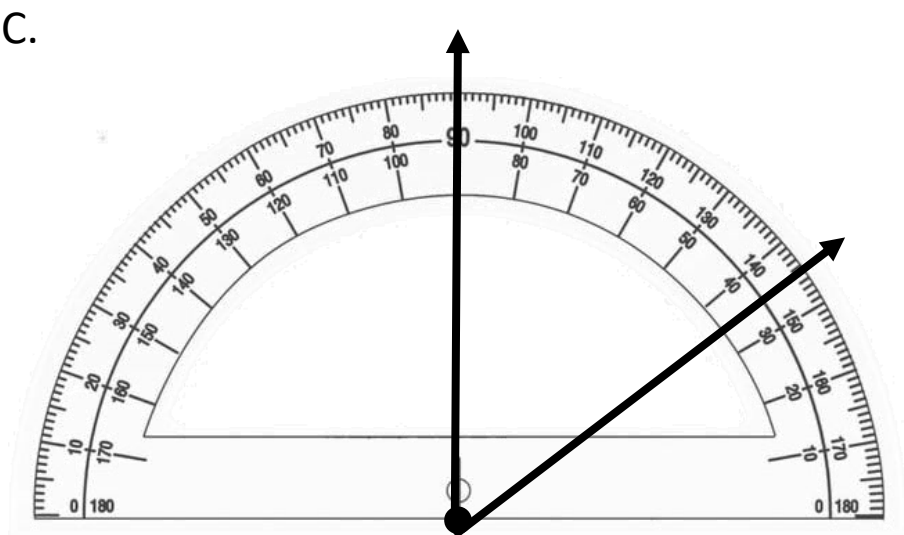
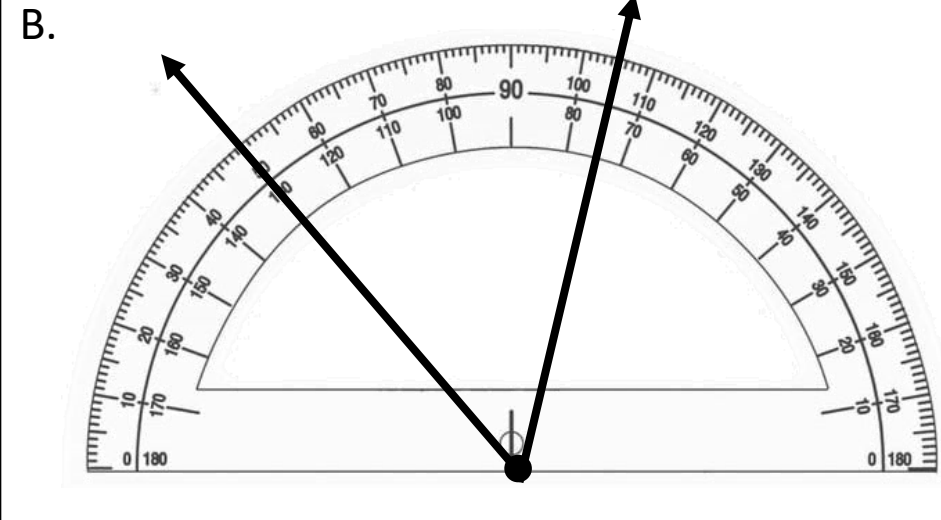
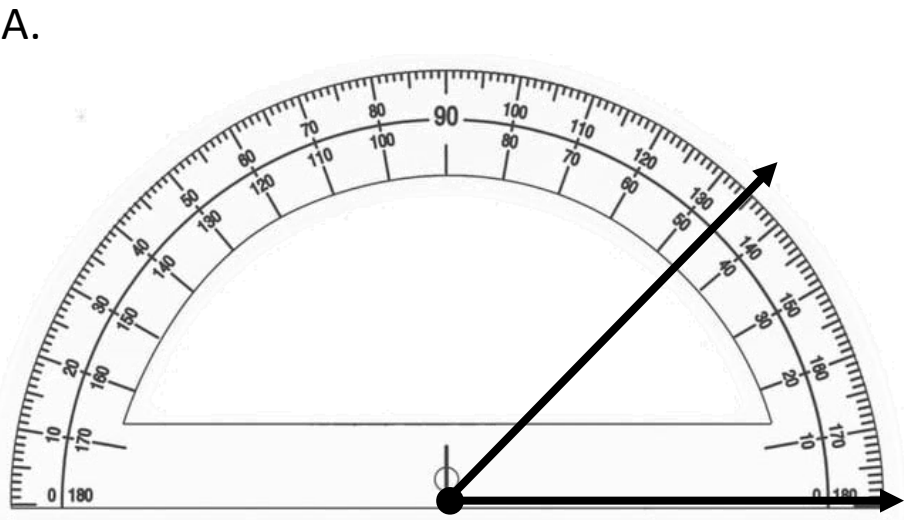
C.  $80^\circ$ , because  $40^\circ$  plus  $40^\circ$  equals  $80^\circ$

D.  $130^\circ$ , because  $90^\circ$  minus  $40^\circ$  equals  $130^\circ$

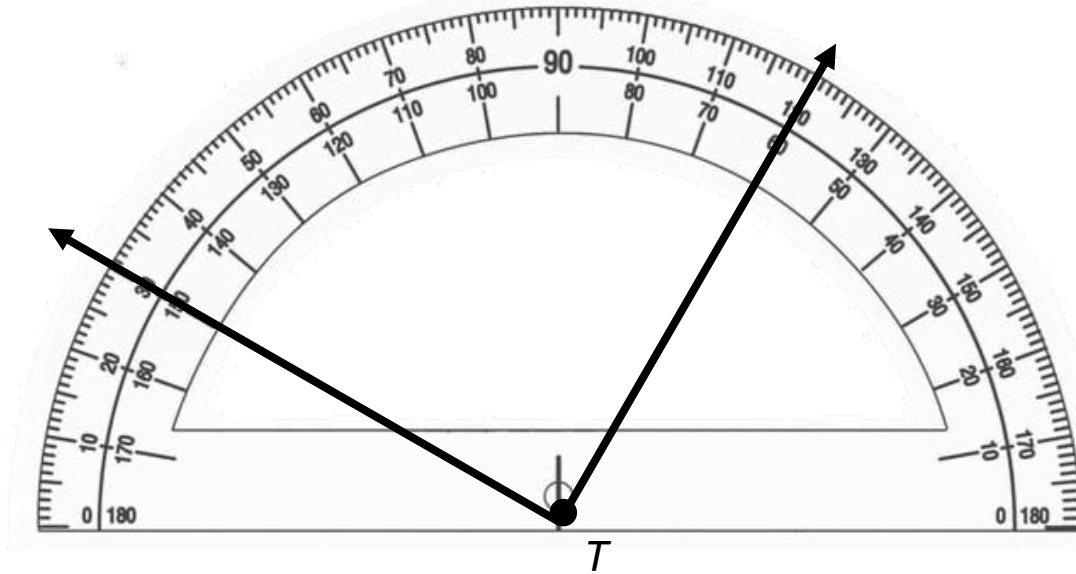
22. Which angle appears to have a measure of  $69^\circ$ ?



23. Which angle does *NOT* appear to have a measure of  $55^\circ$ ?



24. Angle  $T$  is shown on this protractor. What is the measure of angle  $T$  to the nearest degree?



A.  $150^\circ$ , because  $30^\circ$  plus  $120^\circ$  equals  $150^\circ$

B.  $30^\circ$ , because  $60^\circ$  minus  $30^\circ$  equals  $30^\circ$

C.  $60^\circ$ , because  $180^\circ$  minus  $120^\circ$  equals  $60^\circ$

D.  $90^\circ$ , because  $120^\circ$  minus  $30^\circ$  equals  $90^\circ$



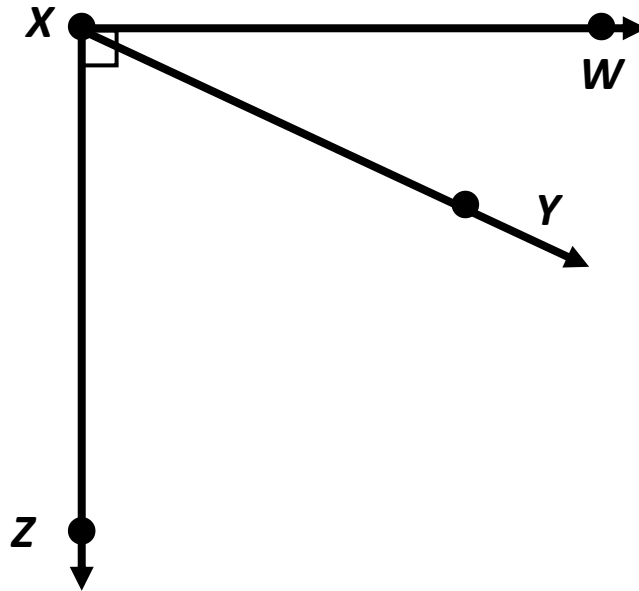
**Unit: 4<sup>th</sup> Measuring Angles****4.7.C – 4.7.D – 4.7.E – Measuring Angles****Problem Set: 5**

*Note: Some parts of these materials are taken directly from released STAAR tests Copyright © 2015-2021. Texas Education Agency. All Rights Reserved. Used by Permission.*

1  A	2  152°	3  A	4  B	5  D	6  D
7  C	8  C	9  C	10  A	11  B	12  B
13  B	14  D	15  D	16  B	17  A	18  C
19  C	20  D	21  B	22  B	23  A	24  D
25  65°	26  B	27  C	28  D	29  A	30  B

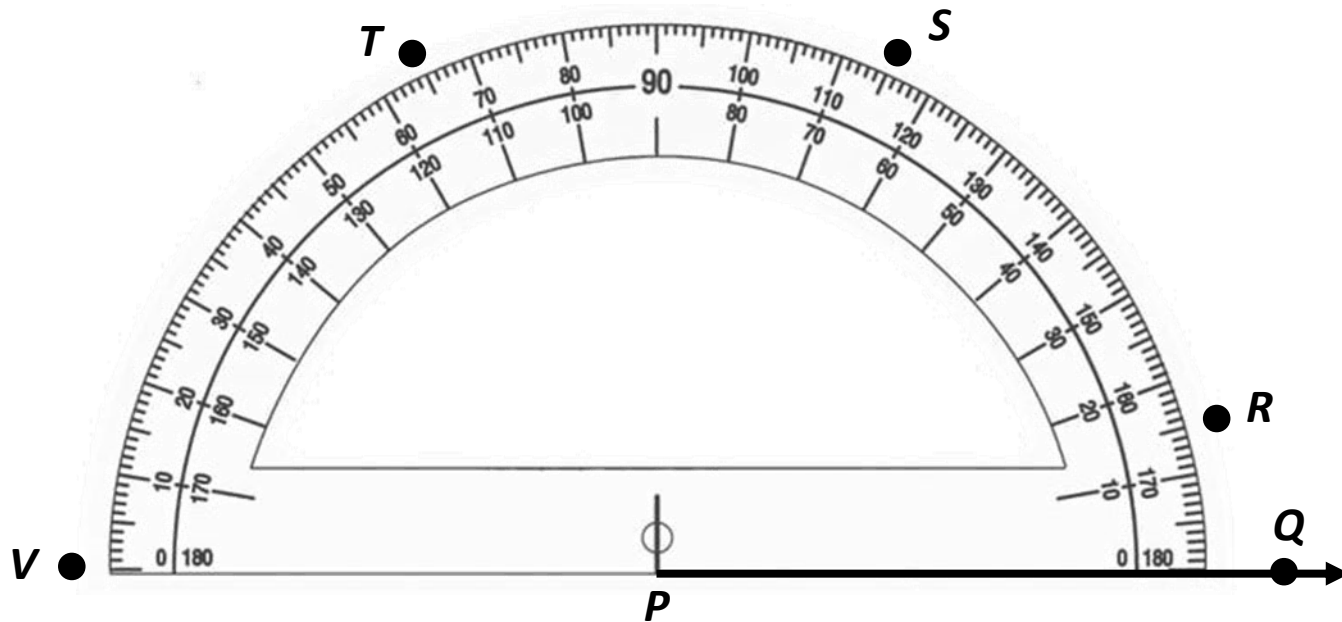


25. The measure of angle  $WXZ$  is  $90^\circ$ . The measure of angle  $WXY$  is  $25^\circ$ .



What is the measure in degrees of angle  $YXZ$ ?

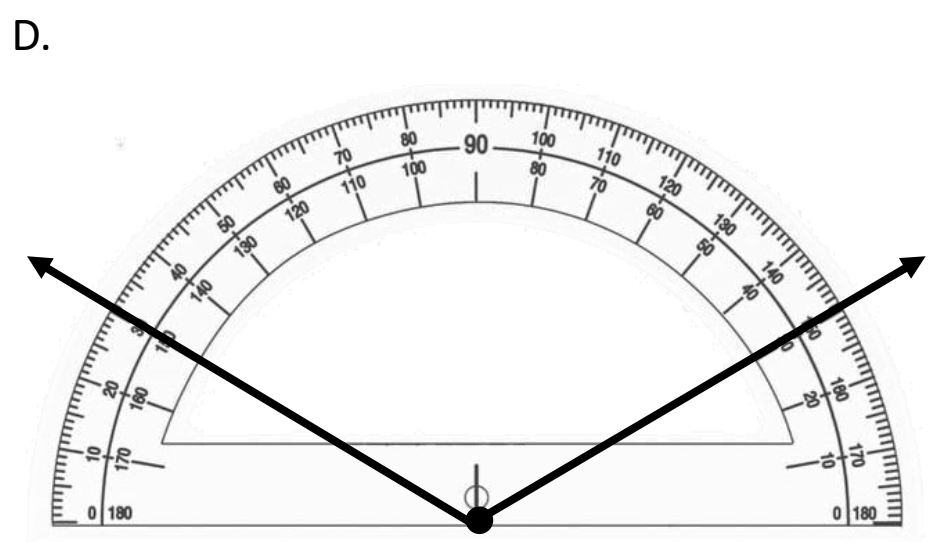
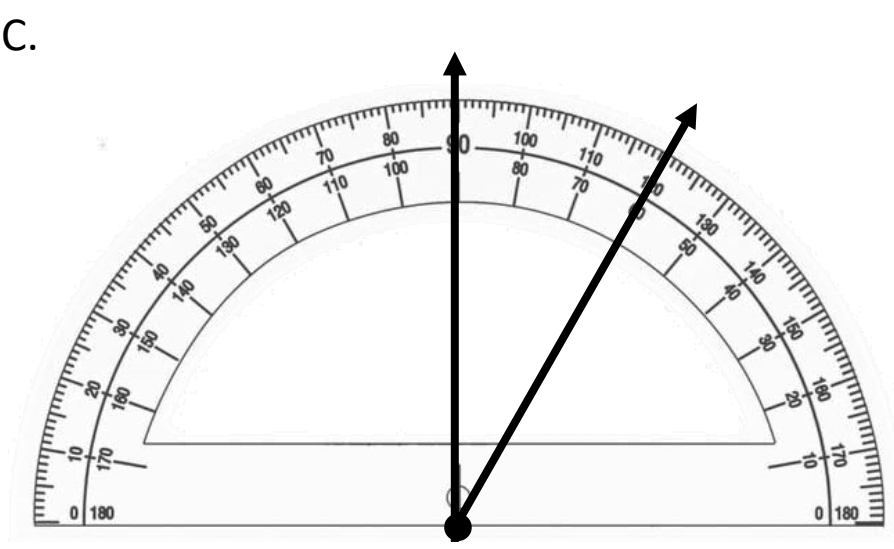
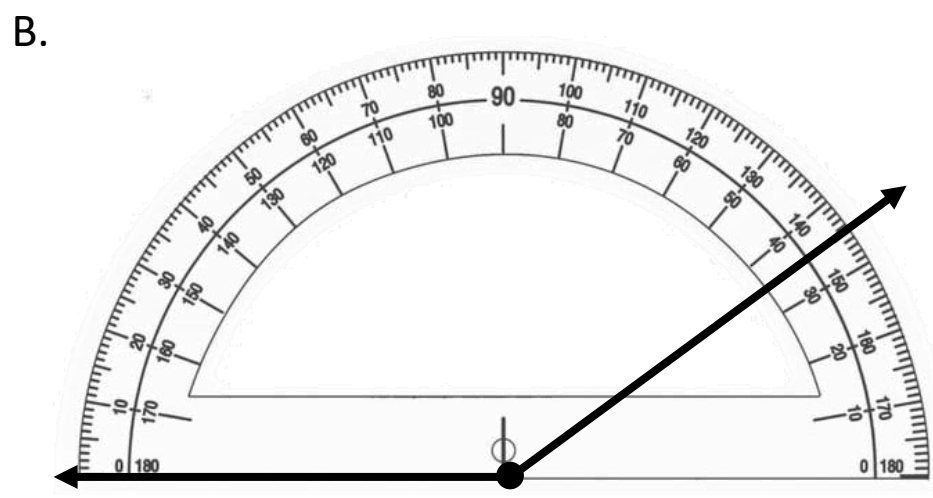
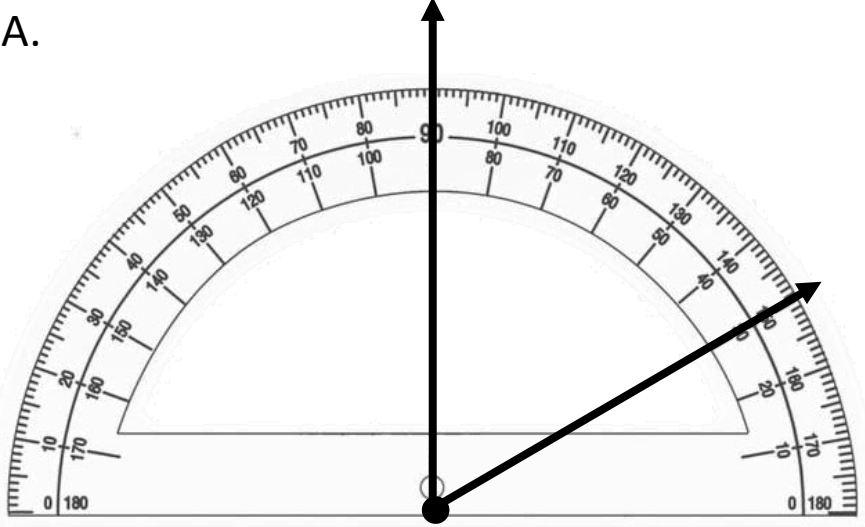
26. Frank is using a protractor to construct an angle that measures  $65^\circ$ . First, he draws Ray  $PQ$ , as shown on the protractor.



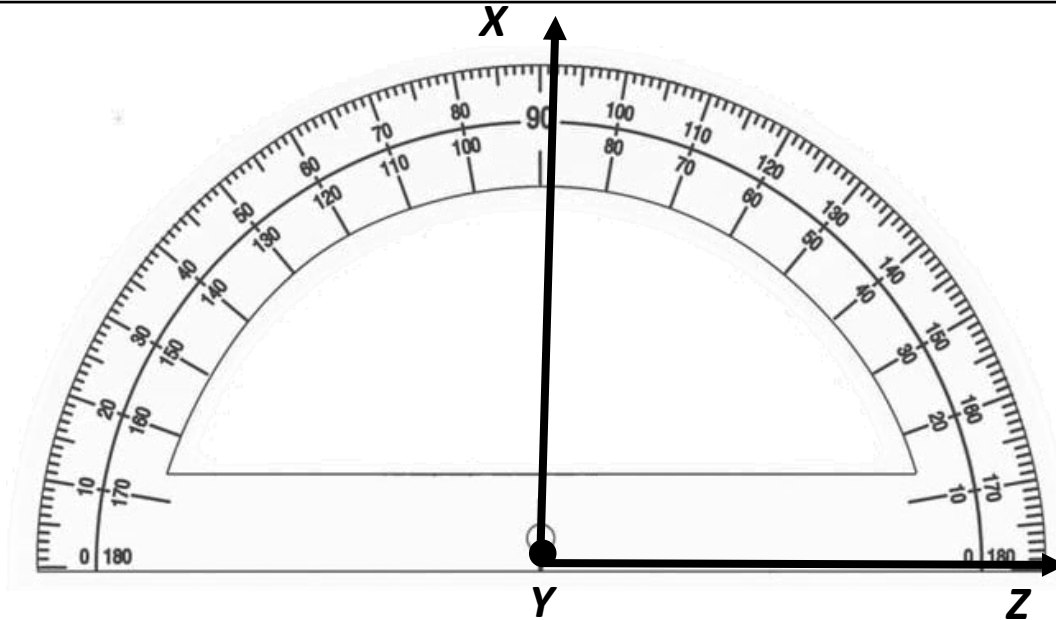
To complete the  $65^\circ$  angle, Frank should draw another ray that starts at point  $P$  and passes through –

- A. point  $R$
- B. point  $S$
- C. point  $T$
- D. point  $V$

27. Which angle has a measure closest to  $30^\circ$ ?



28. What is the measure of angle XYZ to the nearest degree?



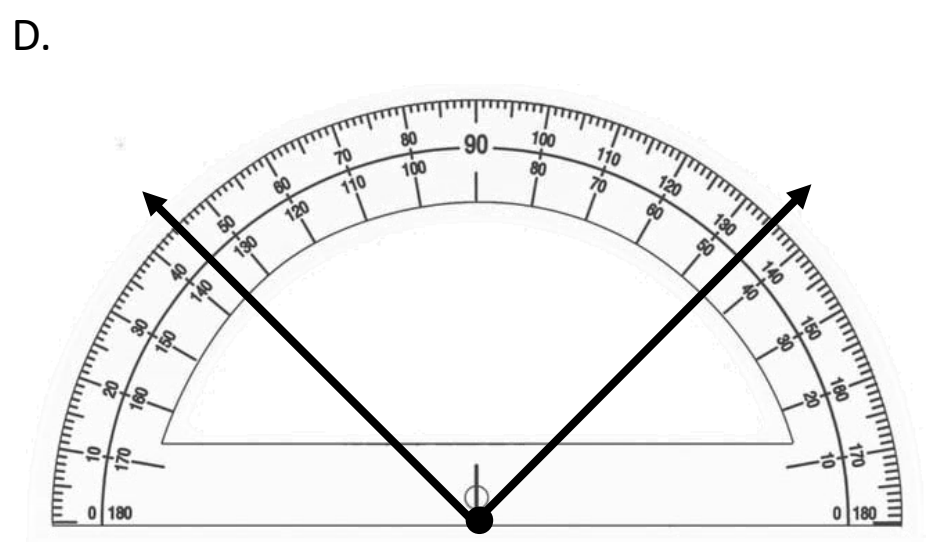
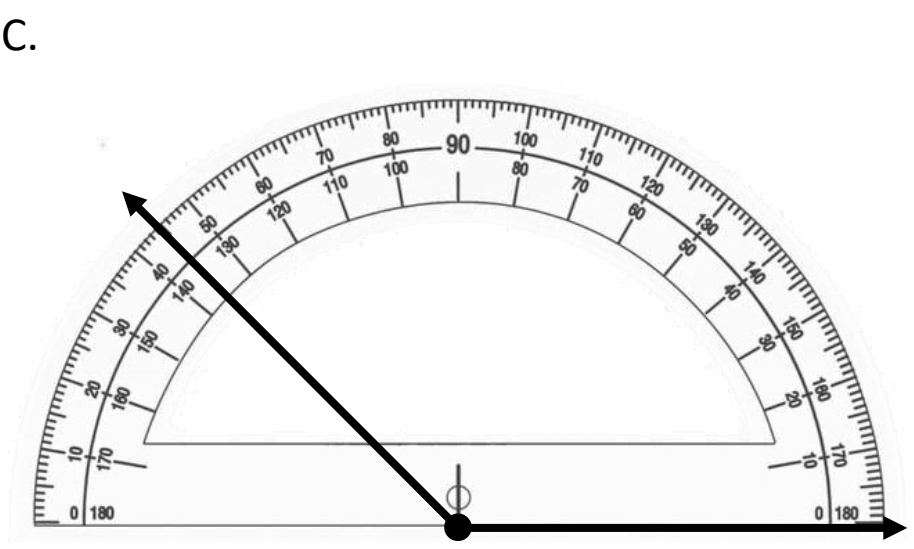
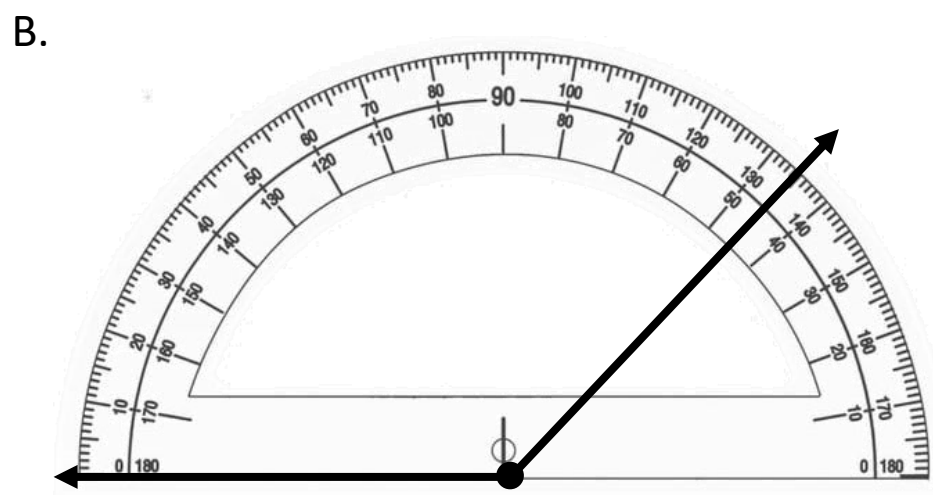
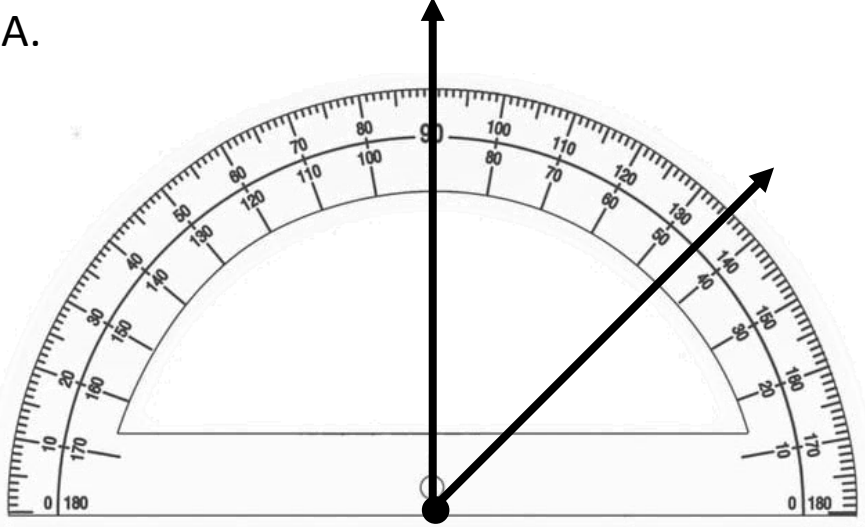
A.  $180^\circ$

B.  $109^\circ$

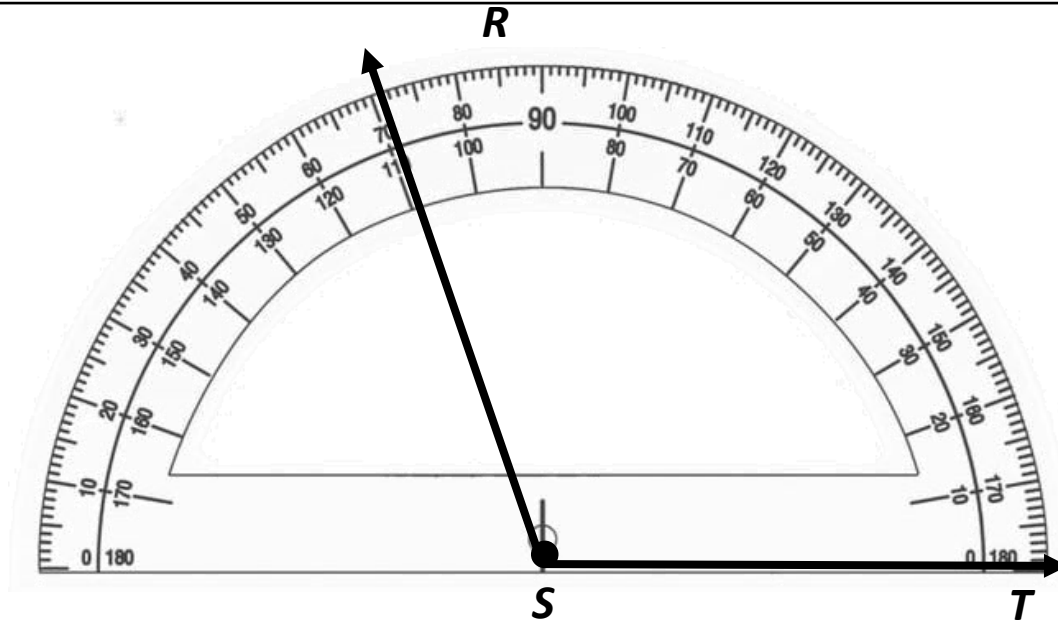
C.  $91^\circ$

D.  $89^\circ$

29. Which angle has a measure closest to  $45^\circ$ ?



30. What is the measure of angle  $RST$  to the nearest degree?



A.  $180^\circ$

B.  $109^\circ$

C.  $71^\circ$

D.  $89^\circ$