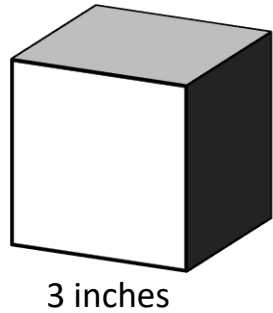
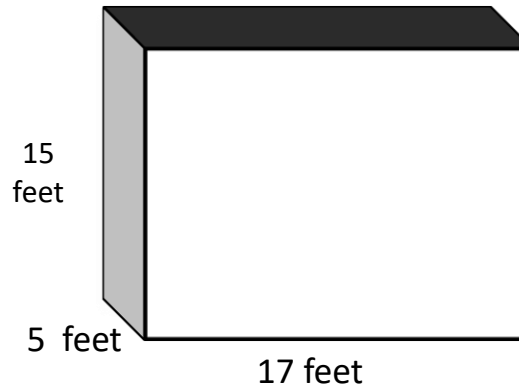


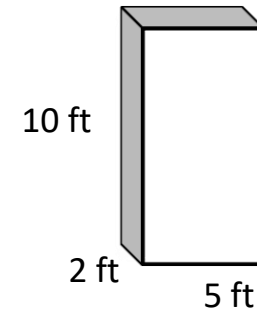
1. What is the volume of this cube?



2. What is the area of the base of this rectangular prism?



3. What is the volume of this rectangular prism?

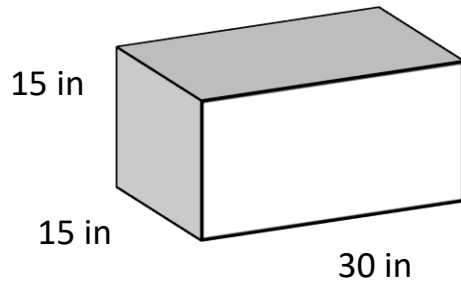


Volume Practice - PS

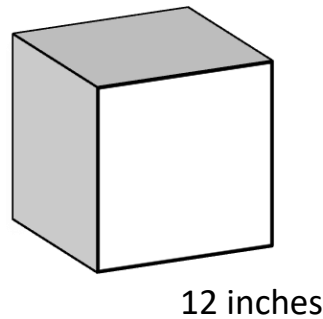
Volume Practice - PS

Volume Practice - PS

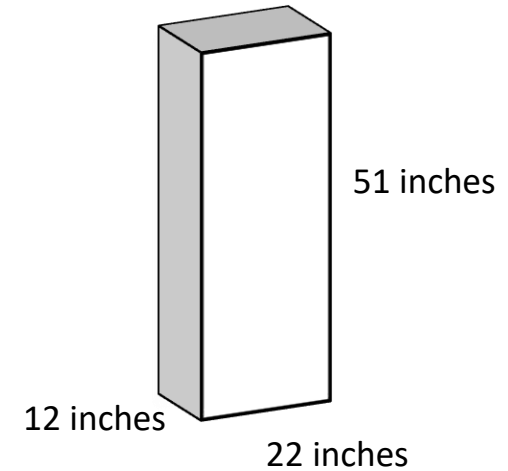
4. What is the perimeter of the base of this rectangular prism?



5. What is perimeter of the base of this cube?



6. What is the area of the base of this rectangular prism?



Volume Practice - PS

Volume Practice - PS

Volume Practice - PS

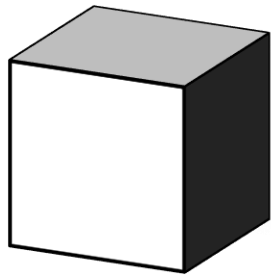
Unit: 5th – Perimeter, Area & Volume

Lesson: Volume Practice

Problem Set 1

| | | | | | |
|--------------------------------|------------------------------|------------------------------|---------------------------------|---------------------------------|-------------------------------|
| 1 27 cubic inches | 2 85 sq ft | 3 100 cubic ft | 4 90 inches | 5 48 inches | 6 264 sq inches |
| 7 20 inches | 8 48 feet | 9 48 cubic ft | 10 495 sq in | 11 64 cubic inches | 12 312 sq inches |
| 13 44 inches | 14 240 sq ft | 15 216 cubic ft | 16 396 sq inches | 17 8 cubic inches | 18 40 inches |
| 19 180 cubic ft | 20 128 cubic ft | 21 49 sq inches | 22 288 sq inches | 23 40 inches | 24 80 inches |
| 25 132 inches | 26 600 cubic ft | 26 48 inches | 28 63 cubic inches | 29 225 sq inches | 30 882 sq inches |

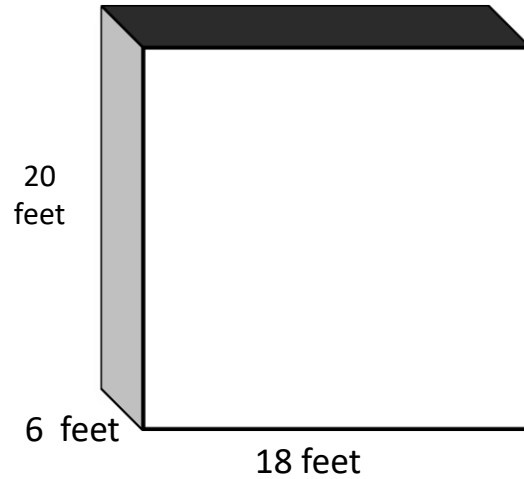
7. What is the perimeter of the base of this cube?



5 inches

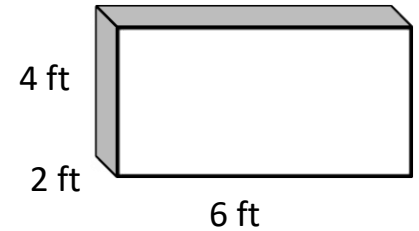
Volume Practice - PS

8. What is the perimeter of the base of this rectangular prism?



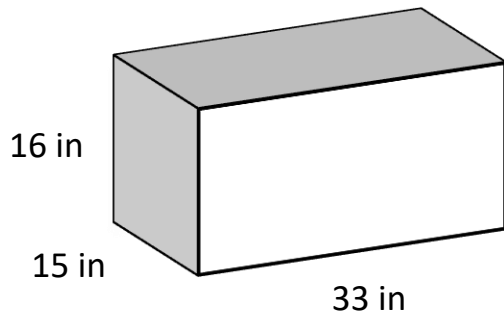
Volume Practice - PS

9. What is the volume of this rectangular prism?



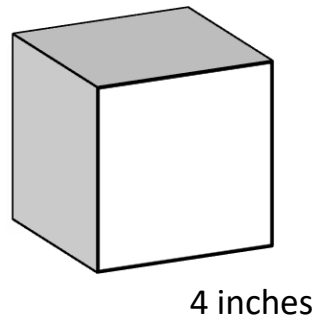
Volume Practice - PS

10. What is the area of the base of this rectangular prism?



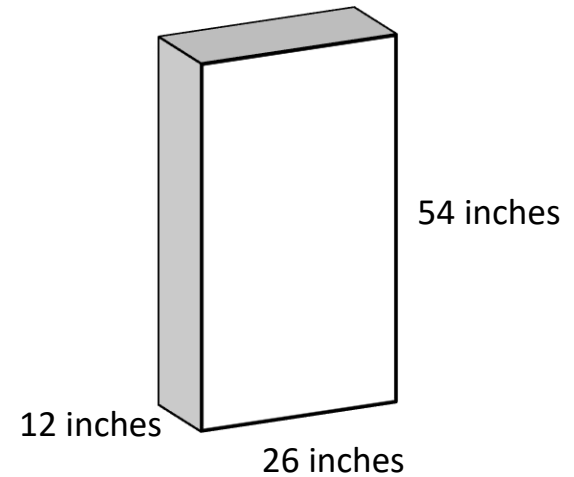
Volume Practice - PS

11. What is volume of this cube?



Volume Practice - PS

12. What is the area of the base of this rectangular prism?



Volume Practice - PS

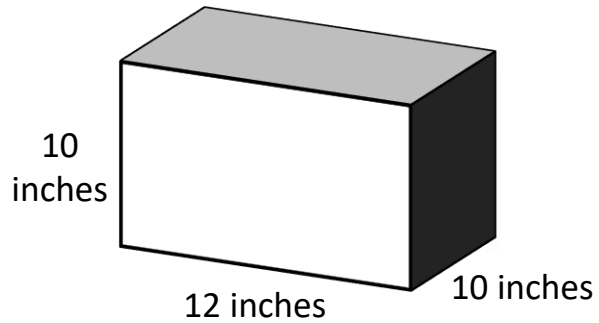
Unit: 5th – Perimeter, Area & Volume

Lesson: Volume Practice

Problem Set 2

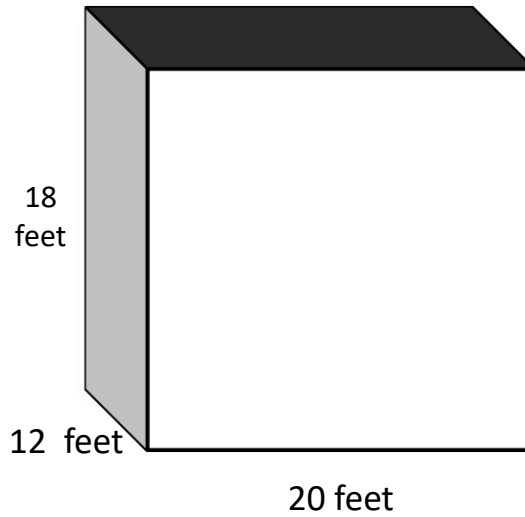
| | | | | | |
|--------------------------------|------------------------------|------------------------------|---------------------------------|---------------------------------|-------------------------------|
| 1 27 cubic inches | 2 85 sq ft | 3 100 cubic ft | 4 90 inches | 5 48 inches | 6 264 sq inches |
| 7 20 inches | 8 48 feet | 9 48 cubic ft | 10 495 sq in | 11 64 cubic inches | 12 312 sq inches |
| 13 44 inches | 14 240 sq ft | 15 216 cubic ft | 16 396 sq inches | 17 8 cubic inches | 18 40 inches |
| 19 180 cubic ft | 20 128 cubic ft | 21 49 sq inches | 22 288 sq inches | 23 40 inches | 24 80 inches |
| 25 132 inches | 26 600 cubic ft | 26 48 inches | 28 63 cubic inches | 29 225 sq inches | 30 882 sq inches |

13. What is the perimeter of the base of this rectangular prism?



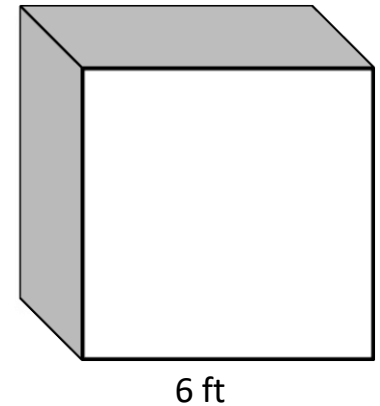
Volume Practice - PS

14. What is the area of the base of this rectangular prism?



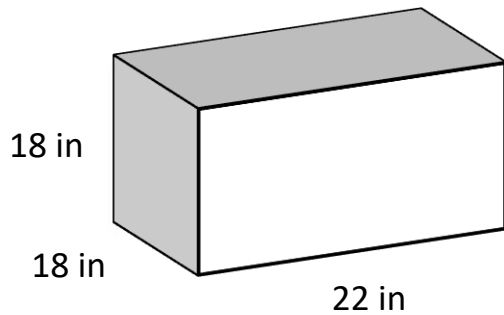
Volume Practice - PS

15. What is the volume of this cube?



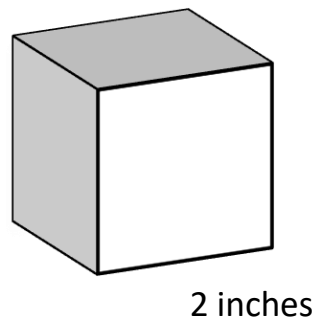
Volume Practice - PS

16. What is the area of the base of this rectangular prism?



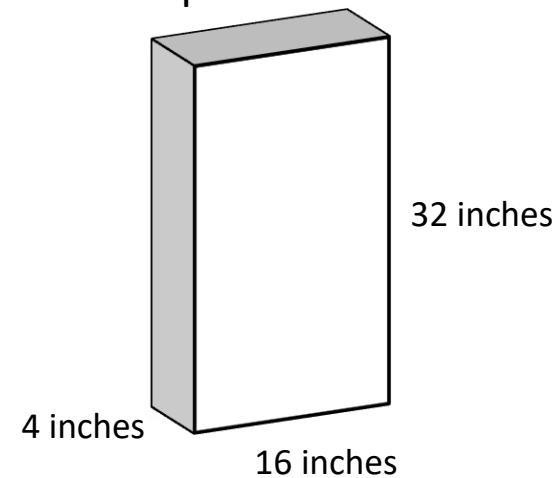
Volume Practice - PS

17. What is volume of this cube?



Volume Practice - PS

18. What is the perimeter of the base of this rectangular prism?

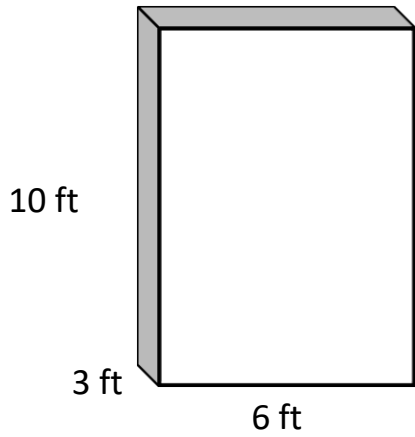


Volume Practice - PS

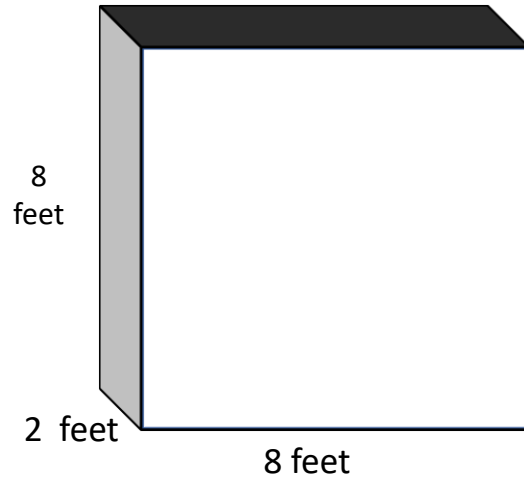
Unit: 5th – Perimeter, Area & Volume**Lesson: Volume Practice****Problem Set 3**

| | | | | | |
|---------------------------------------|-------------------------------------|-------------------------------------|--|--|--------------------------------------|
| 1 27 cubic inches | 2 85 sq ft | 3 100 cubic ft | 4 90 inches | 5 48 inches | 6 264 sq inches |
| 7 20 inches | 8 48 feet | 9 48 cubic ft | 10 495 sq in | 11 64 cubic inches | 12 312 sq inches |
| 13 44 inches | 14 240 sq ft | 15 216 cubic ft | 16 396 sq inches | 17 8 cubic inches | 18 40 inches |
| 19 180 cubic ft | 20 128 cubic ft | 21 49 sq inches | 22 288 sq inches | 23 40 inches | 24 80 inches |
| 25 132 inches | 26 600 cubic ft | 26 48 inches | 28 63 cubic inches | 29 225 sq inches | 30 882 sq inches |

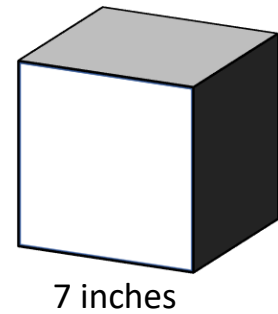
19. What is the volume of this rectangular prism?



20. What is the volume of this rectangular prism?



21. What is the area of the base of this cube?

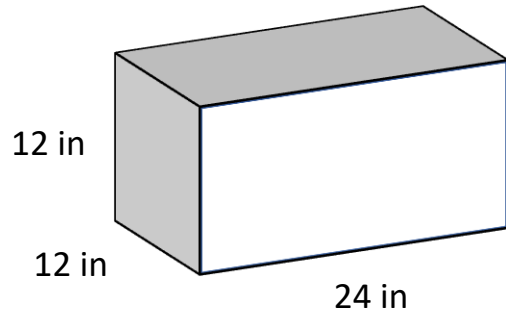


Volume Practice - PS

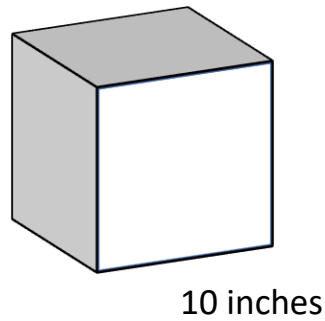
Volume Practice - PS

Volume Practice - PS

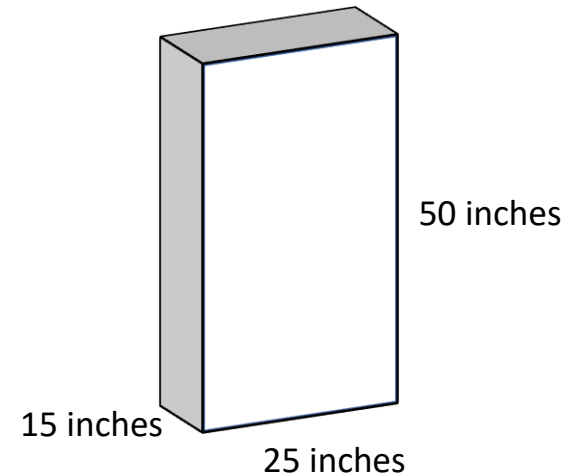
22. What is the area of the base of this rectangular prism?



23. What is perimeter of the base of this cube?



24. What is the perimeter of the base of this rectangular prism?



Volume Practice - PS

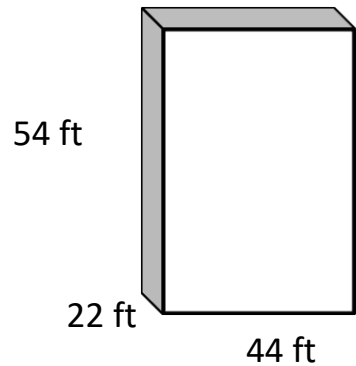
Volume Practice - PS

Volume Practice - PS

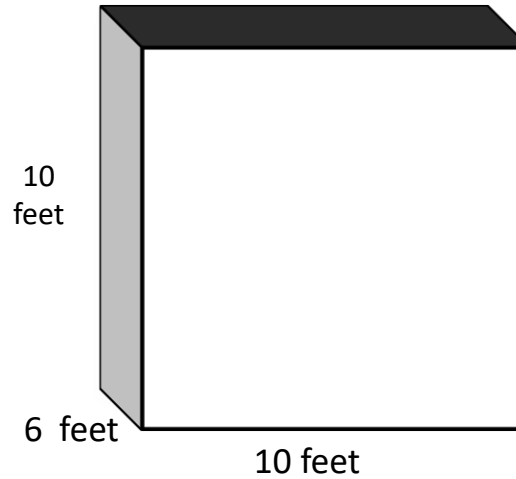
Unit: 5th – Perimeter, Area & Volume**Lesson: Volume Practice****Problem Set 4**

| | | | | | |
|---------------------------------------|-------------------------------------|-------------------------------------|--|--|--------------------------------------|
| 1 27 cubic inches | 2 85 sq ft | 3 100 cubic ft | 4 90 inches | 5 48 inches | 6 264 sq inches |
| 7 20 inches | 8 48 feet | 9 48 cubic ft | 10 495 sq in | 11 64 cubic inches | 12 312 sq inches |
| 13 44 inches | 14 240 sq ft | 15 216 cubic ft | 16 396 sq inches | 17 8 cubic inches | 18 40 inches |
| 19 180 cubic ft | 20 128 cubic ft | 21 49 sq inches | 22 288 sq inches | 23 40 inches | 24 80 inches |
| 25 132 inches | 26 600 cubic ft | 26 48 inches | 28 63 cubic inches | 29 225 sq inches | 30 882 sq inches |

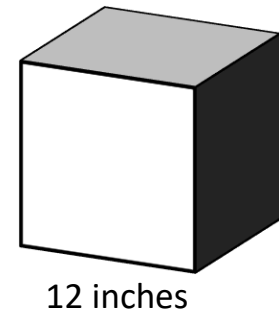
25. What is the perimeter of the base of this rectangular prism?



26. What is the volume of this rectangular prism



27. What is the perimeter of the base of this cube?

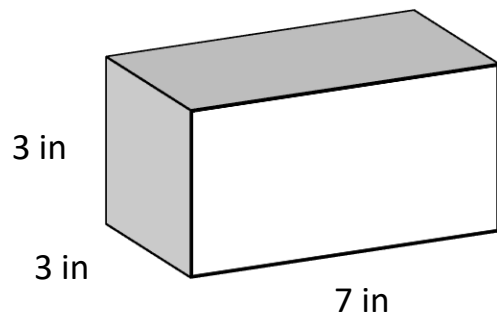


Volume Practice - PS

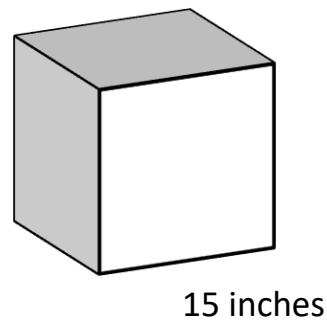
Volume Practice - PS

Volume Practice - PS

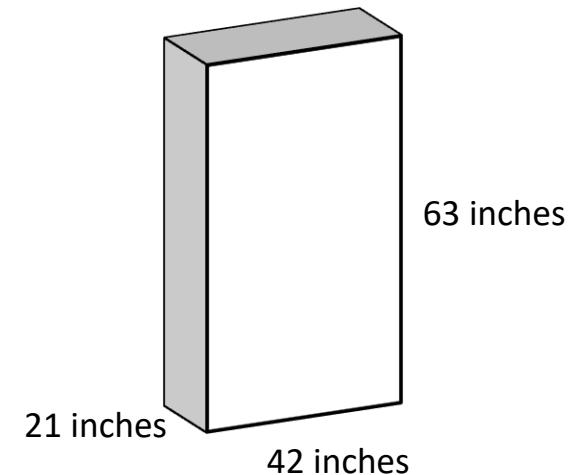
28. What is the volume of this rectangular prism?



29. What is area of the base of this cube?



30. What is the area of the base of this rectangular prism?



Volume Practice - PS

Volume Practice - PS

Volume Practice - PS

Unit: 5th – Perimeter, Area & Volume**Lesson: Volume Practice****Problem Set 5**

| | | | | | |
|--------------------------------|------------------------------|------------------------------|---------------------------------|---------------------------------|-------------------------------|
| 1 27 cubic inches | 2 85 sq ft | 3 100 cubic ft | 4 90 inches | 5 48 inches | 6 264 sq inches |
| 7 20 inches | 8 48 feet | 9 48 cubic ft | 10 495 sq in | 11 64 cubic inches | 12 312 sq inches |
| 13 44 inches | 14 240 sq ft | 15 216 cubic ft | 16 396 sq inches | 17 8 cubic inches | 18 40 inches |
| 19 180 cubic ft | 20 128 cubic ft | 21 49 sq inches | 22 288 sq inches | 23 40 inches | 24 80 inches |
| 25 132 inches | 26 600 cubic ft | 26 48 inches | 28 63 cubic inches | 29 225 sq inches | 30 882 sq inches |