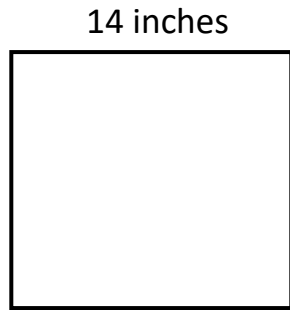
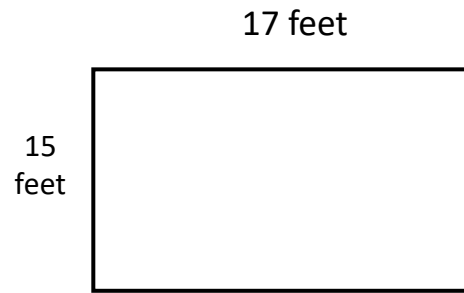


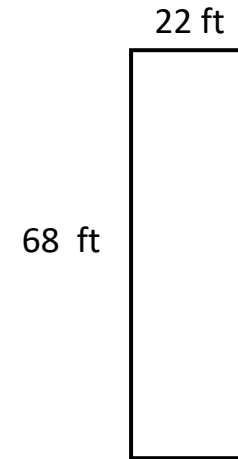
1. What is the area of this square?



2. What is the area of this rectangle?



3. What is the area of this rectangle?

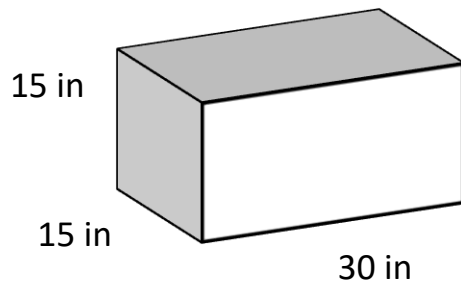


Area Practice - PS

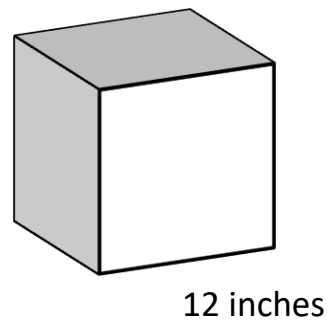
Area Practice - PS

Area Practice - PS

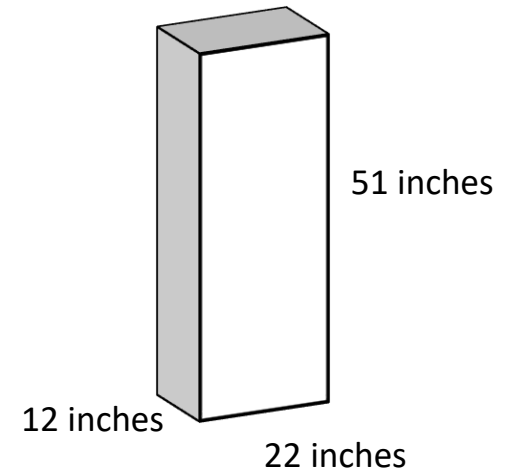
4. What is the area of the base of this rectangular prism?



5. What is area of the base of this cube?



6. What is the area of the base of this rectangular prism?



Area Practice - PS

Area Practice - PS

Area Practice - PS

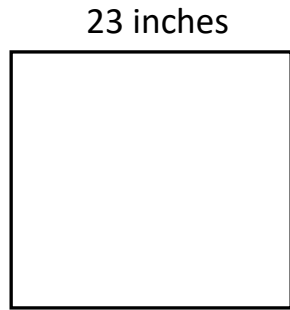
# Unit: 5<sup>th</sup> – Perimeter, Area & Volume

## Lesson: Area Practice

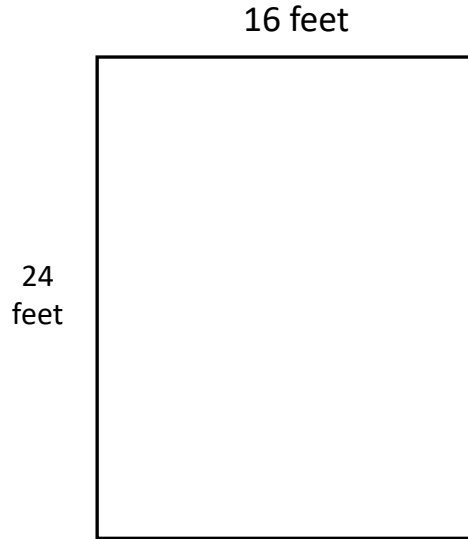
### Problem Set: 1

1	2	3	4	5	6
196 sq ins	255 sq ft	1496 sq ft	450 sq ins	144 sq ins	264 sq ins
7	8	9	10	11	12
529 sq ins	384 sq ft	2880 sq ft	156 sq ins	1024 sq ins	420 sq ins
13	14	15	16	17	18
529 sq ins	1219 sq cm	705 sq cm	187 sq ins	784 sq ins	336 sq ins
19	20	21	22	23	24
256 sq ins	636 sq cm	1554 sq cm	1296 sq ins	1849 sq ins	400 sq ins
25	26	27	28	29	30
529 sq ins	5980 sq cm	612 sq cm	648 sq ins	2704 sq ins	400 sq ins

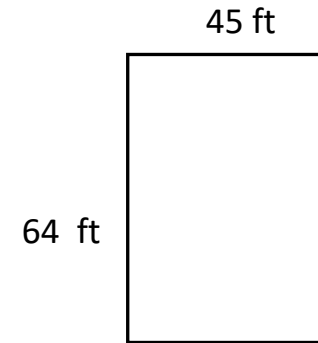
7. What is the area of this square?



8. What is the area of this rectangle?



9. What is the area of this rectangle?

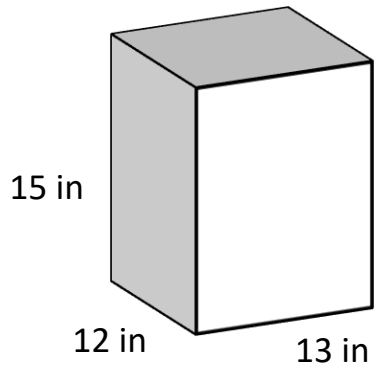


Area Practice - PS

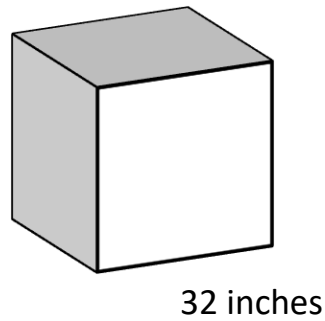
Area Practice - PS

Area Practice - PS

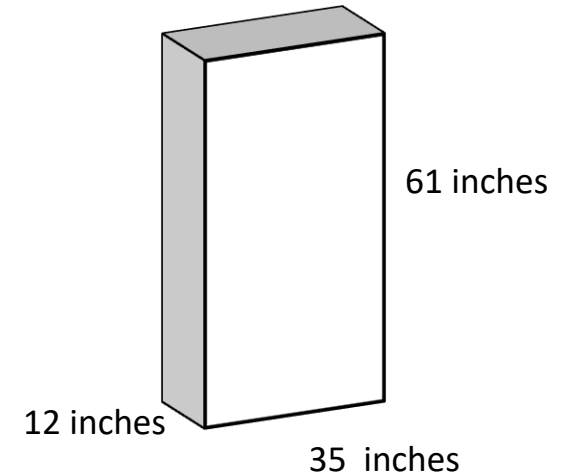
10. What is the area of the base of this rectangular prism?



11. What is area of the base of this cube?



12. What is the area of the base of this rectangular prism?



Area Practice - PS

Area Practice - PS

Area Practice - PS

# Unit: 5<sup>th</sup> – Perimeter, Area & Volume

## Lesson: Area Practice

### Problem Set: 2

1	2	3	4	5	6
196 sq ins	255 sq ft	1496 sq ft	450 sq ins	144 sq ins	264 sq ins
7	8	9	10	11	12
529 sq ins	384 sq ft	2880 sq ft	156 sq ins	1024 sq ins	420 sq ins
13	14	15	16	17	18
529 sq ins	1219 sq cm	705 sq cm	187 sq ins	784 sq ins	336 sq ins
19	20	21	22	23	24
256 sq ins	636 sq cm	1554 sq cm	1296 sq ins	1849 sq ins	400 sq ins
25	26	27	28	29	30
529 sq ins	5980 sq cm	612 sq cm	648 sq ins	2704 sq ins	400 sq ins

13. What is the area of this square?

23 inches



14. What is the area of this rectangle?

53 cm

23 cm



15. What is the area of this rectangle?

47 cm

15 cm



Area Practice - PS

Area Practice - PS

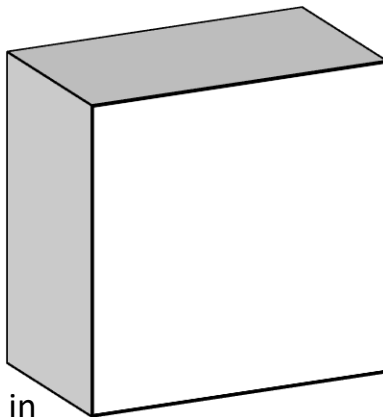
Area Practice - PS

16. What is the area of the base of this rectangular prism?

15 in

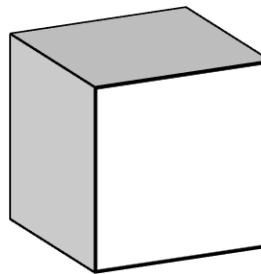
11 in

17 in



17. What is area of the base of this cube?

28 inches

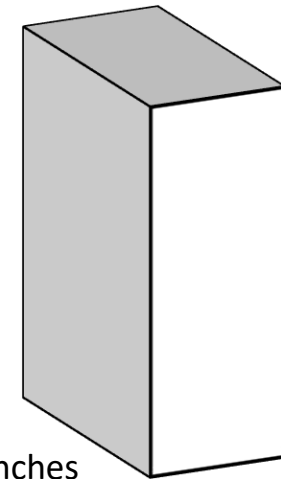


18. What is the area of the base of this rectangular prism?

73 inches

21 inches

16 inches



Area Practice - PS

Area Practice - PS

Area Practice - PS

# Unit: 5<sup>th</sup> – Perimeter, Area & Volume

## Lesson: Area Practice

### Problem Set: 3

1	2	3	4	5	6
196 sq ins	255 sq ft	1496 sq ft	450 sq ins	144 sq ins	264 sq ins
7	8	9	10	11	12
529 sq ins	384 sq ft	2880 sq ft	156 sq ins	1024 sq ins	420 sq ins
13	14	15	16	17	18
529 sq ins	1219 sq cm	705 sq cm	187 sq ins	784 sq ins	336 sq ins
19	20	21	22	23	24
256 sq ins	636 sq cm	1554 sq cm	1296 sq ins	1849 sq ins	400 sq ins
25	26	27	28	29	30
529 sq ins	5980 sq cm	612 sq cm	648 sq ins	2704 sq ins	400 sq ins

19. What is the area of this square?

16 inches



20. What is the area of this rectangle?

53 cm

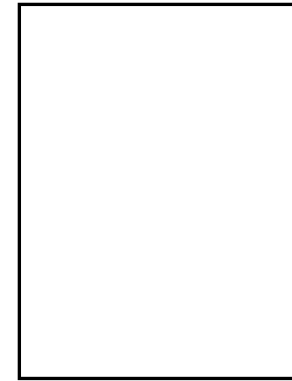
12 cm



21. What is the area of this rectangle?

37 cm

42 cm



Area Practice - PS

Area Practice - PS

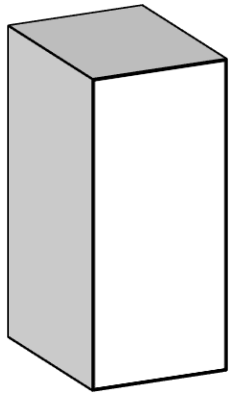
Area Practice - PS

22. What is the area of the base of this rectangular prism?

82 in

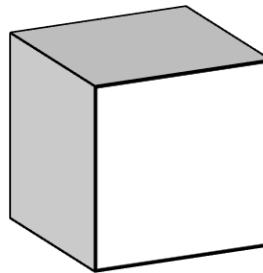
36 in

36 in



23. What is area of the base of this cube?

43 inches

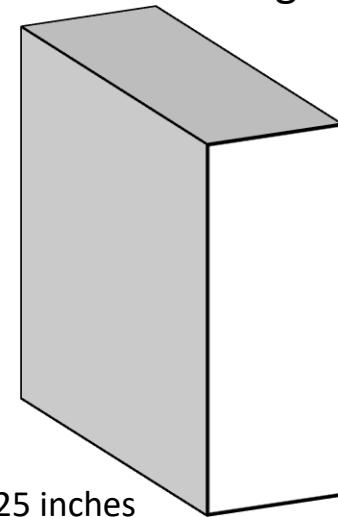


24. What is the area of the base of this rectangular prism?

25 inches

16 inches

69 inches



Area Practice - PS

Area Practice - PS

Area Practice - PS

# Unit: 5<sup>th</sup> – Perimeter, Area & Volume

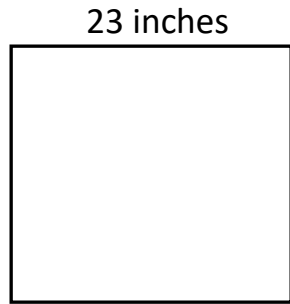
## Lesson: Area Practice

### Problem Set: 4

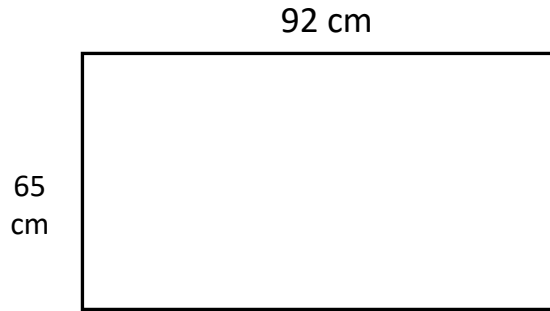
1	2	3	4	5	6
196 sq ins	255 sq ft	1496 sq ft	450 sq ins	144 sq ins	264 sq ins
7	8	9	10	11	12
529 sq ins	384 sq ft	2880 sq ft	156 sq ins	1024 sq ins	420 sq ins
13	14	15	16	17	18
529 sq ins	1219 sq cm	705 sq cm	187 sq ins	784 sq ins	336 sq ins
19	20	21	22	23	24
256 sq ins	636 sq cm	1554 sq cm	1296 sq ins	1849 sq ins	400 sq ins
25	26	27	28	29	30
529 sq ins	5980 sq cm	612 sq cm	648 sq ins	2704 sq ins	400 sq ins



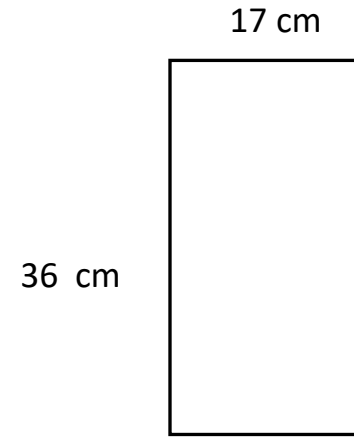
25. What is the area of this square?



26. What is the area of this rectangle?



27. What is the area of this rectangle?

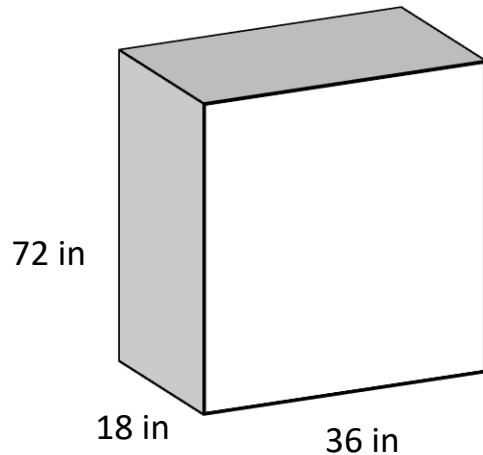


Area Practice - PS

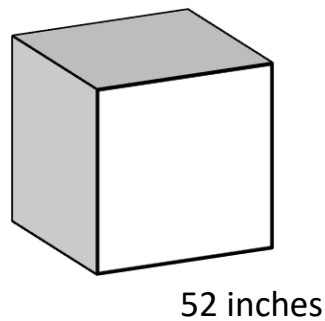
Area Practice - PS

Area Practice - PS

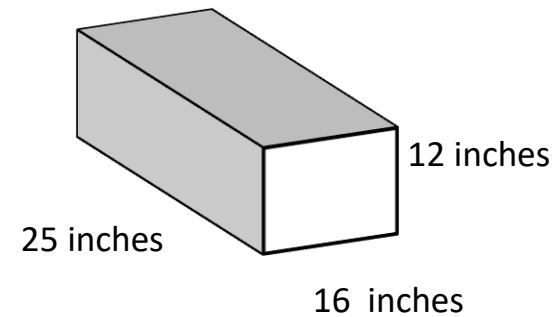
28. What is the area of the base of this rectangular prism?



29. What is area of the base of this cube?



30. What is the area of the base of this rectangular prism?



Area Practice - PS

Area Practice - PS

Area Practice - PS

# Unit: 5<sup>th</sup> – Perimeter, Area & Volume

## Lesson: Area Practice

### Problem Set: 5

1	2	3	4	5	6
196 sq ins	255 sq ft	1496 sq ft	450 sq ins	144 sq ins	264 sq ins
7	8	9	10	11	12
529 sq ins	384 sq ft	2880 sq ft	156 sq ins	1024 sq ins	420 sq ins
13	14	15	16	17	18
529 sq ins	1219 sq cm	705 sq cm	187 sq ins	784 sq ins	336 sq ins
19	20	21	22	23	24
256 sq ins	636 sq cm	1554 sq cm	1296 sq ins	1849 sq ins	400 sq ins
25	26	27	28	29	30
529 sq ins	5980 sq cm	612 sq cm	648 sq ins	2704 sq ins	400 sq ins